

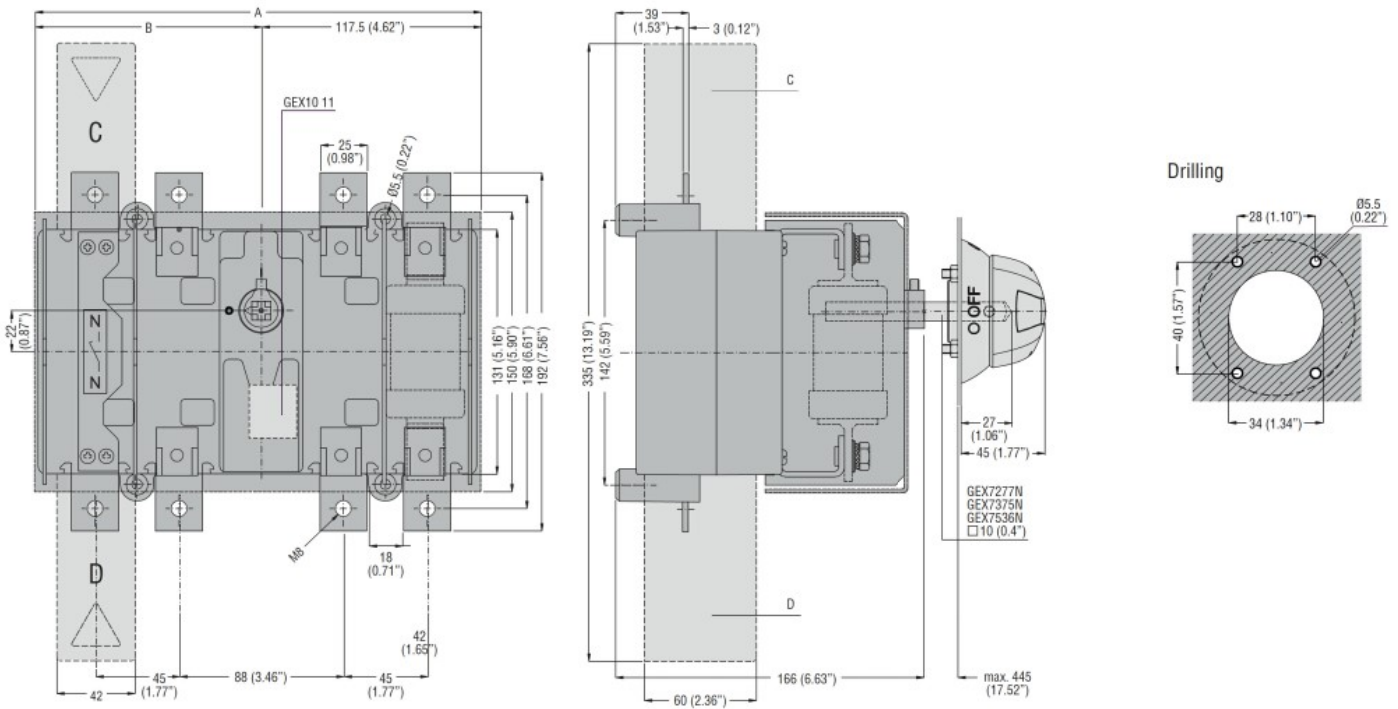


Product designation				Switch disconnecter with fuse
Product type designation				GE
Type of fuse				BS
Number of poles	Nr.			4
Operating voltage type				AC
<b>Contact characteristics</b>				
IEC Conventional free air thermal current I <sub>th</sub>	A			160
Rated insulation voltage U <sub>i</sub> IEC/EN	V			800
Rated impulse withstand voltage U <sub>imp</sub>	kV			8
Operating current I <sub>e</sub>				
AC21A	400V	A	160	
	500V	A	160	
	690V	A	160	
AC22A	400V	A	160	
	500V	A	160	
	690V	A	125	
AC23A	400V	A	160	
	500V	A	125	
	690V	A	100	
Power dissipation per pole max	W			12
Rated operational power AC23A	400V	kW	90	
	690V	kW	90	
Conditional short-circuit current (rms)	kA			100
Specific let through energy I <sup>2</sup> t	kA <sup>2</sup> s			0.19
Making capacity AC23A 400V	A			1600
Breaking capacity AC23A 400V	A			1280
Mechanical life	cycles			10000
Electrical life AC21A	cycles			1000 (AC23A 400V)
<b>Mechanical features</b>				
Operating position	normal allowable			Vertical plan Any
Fixing				Screw
Terminals	type screw			Bar M8
Tightening torque for terminals	max	Nm	13	
	max	lbin	10	

Bar dimensions max	20x3		
<b>Ambient conditions</b>			
Operating temperature	min	°C	-25
	max	°C	55
<b>Storage temperature</b>			
	min	°C	-40
	max	°C	70
Max altitude	m	3000	

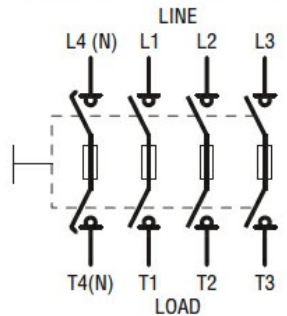
<b>Resistance &amp; Protection</b>			
Frontal IP degree	IP20		
Pollution degree	3		

**Dimensions**



**Wiring diagrams**

Four-pole disconnectors with fuse holders  
**GE0050 FT4 - GE0125 FT4**  
**GE0160 NT4 - GE0800 NT4**  
**GE0160 BT4 - GE0800 BT4**



**Certifications and compliance**

Compliance	IEC/EN 60947-1
	IEC/EN 60947-3

**Certifications**

EAC

ETIM classification

ETIM 8.0

EC000216 -  
Switch  
disconnector