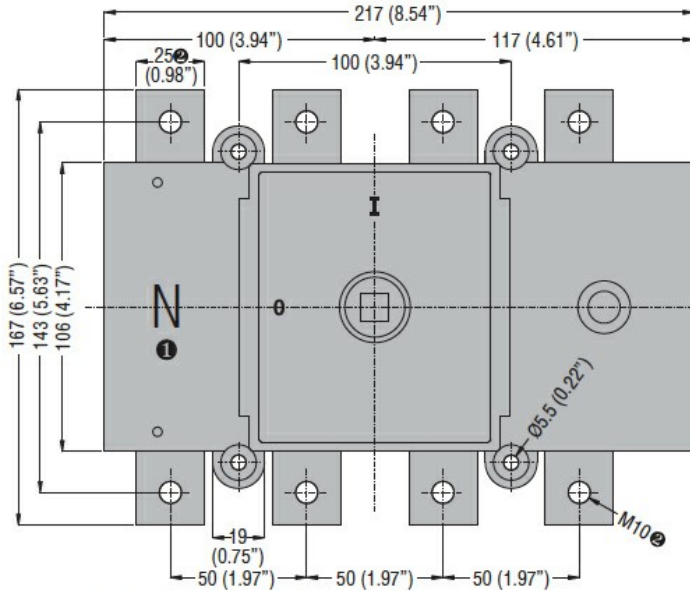




Product designation	Switch disconnecter		
Product type designation	GE		
Number of poles	Nr.	4	
Operating voltage type	DC		
<b>Contact characteristics</b>			
IEC Conventional free air thermal current I <sub>th</sub>	A	125	
Rated insulation voltage U <sub>i</sub> IEC/EN	V	1000	
Rated impulse withstand voltage U <sub>imp</sub>	kV	8	
Operating current I <sub>e</sub>	4 poles in series DC21A		
	48V	A	125
	110V	A	125
	220V	A	125
	400V	A	125
	440V	A	125
	500V	A	125
	600V	A	125
	750V	A	125
	800V	A	125
	850V	A	125
	900V	A	125
	1000V	A	100
Rated short time current (1s) I <sub>cs</sub> (rms)	kA	25000	
Mechanical life	cycles	20000	
<b>Mechanical features</b>			
Operating position	normal allowable	Vertical plan Any	
Fixing	Screw		
Terminals	type screw	Bar M8	
Tightening torque for terminals	max	I <sub>bin</sub>	10
Bar dimensions max	20x4		
<b>Ambient conditions</b>			
Operating temperature	min	°C	-25
	max	°C	55
Storage temperature	min	°C	-40
	max	°C	70
Max altitude	m		3000
<b>Resistance &amp; Protection</b>			

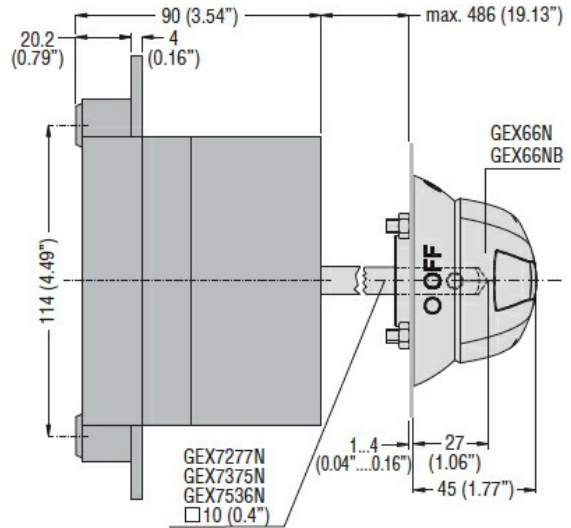
Frontal IP degree	IP20
Pollution degree	3

**Dimensions**

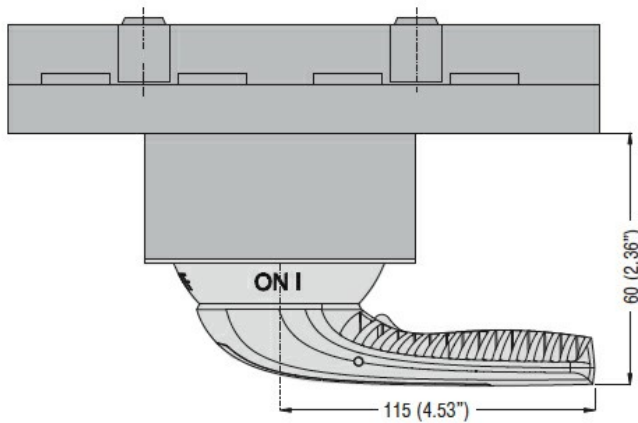


- ❶ Not indicated on GE... DT4 type.
- ❷ 20mm (0.79") and M8 for GE0125 DT4 type.

**Door coupling version with handle  
GEX66N - GEX66NB**

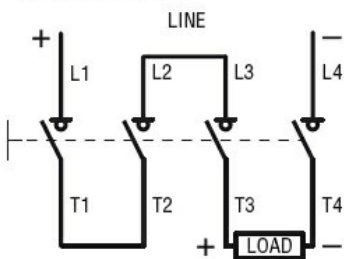


**Direct operating version with handle  
GEX66ND**

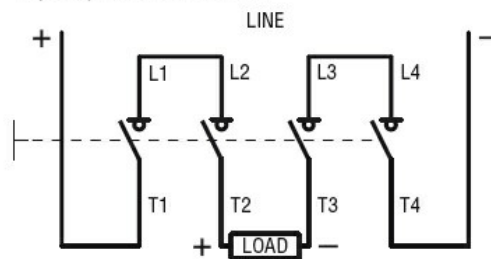


**Wiring diagrams**

**One-line control  
4 poles in series**



**4 (2+2) poles in series**



**Certifications and compliance**

**Compliance**

IEC/EN 60947-1

IEC/EN 60947-3

Certifications

EAC

ETIM classification

ETIM 8.0

EC000216 -  
Switch  
disconnector