



Product designation				Switch disconnecter
Product type designation				GD
Number of poles		Nr.		2
Operating voltage type				DC
<b>Contact characteristics</b>				
IEC Conventional free air thermal current I <sub>th</sub>		A		40
Rated insulation voltage U <sub>i</sub> IEC/EN		V		1500
Rated impulse withstand voltage U <sub>imp</sub>		kV		8
Operating current I <sub>e</sub>				
	DC21A			
		600V	A	40
		800V	A	40
		1000V	A	40
		1200V	A	32
		1500V	A	25
	DC21B			
		600V	A	40
		800V	A	40
		1000V	A	40
		1200V	A	32
		1500V	A	25
DCPV1				
		Operating current I <sub>e</sub> 600V	A	40
		Operating current I <sub>e</sub> 800V	A	40
		Operating current I <sub>e</sub> 1200V	A	32
		Operating current I <sub>e</sub> 1500V	A	25
	DCPV1			
		600V	A	40
		800V	A	40
		1200V	A	32
		1500V	A	25
Power dissipation per pole max		W		1.9
Rated short time current (1s) I <sub>cw</sub> (rms)		kA		0.5
Mechanical life		cycles		10000
<b>Mechanical features</b>				
Operating position		normal allowable		Vertical plan Any
Fixing				Screw / DIN rail 35mm
Terminals				
		type		Screw with washer
		width	mm	5.6
		height	mm	6.5

Tightening torque for terminals	screw tool		M4 Phillips 1
	min	Nm	1.2
	max	Nm	1.6
	min	lbin	1.3
	max	lbin	1.2

Conductor section	IEC min	mm <sup>2</sup>	1
	IEC max	mm <sup>2</sup>	10
	AWG/kcmil min		18
	AWG/kcmil max		8

<b>Ambient conditions</b>			
Operating temperature	min	°C	-25
	max	°C	+55

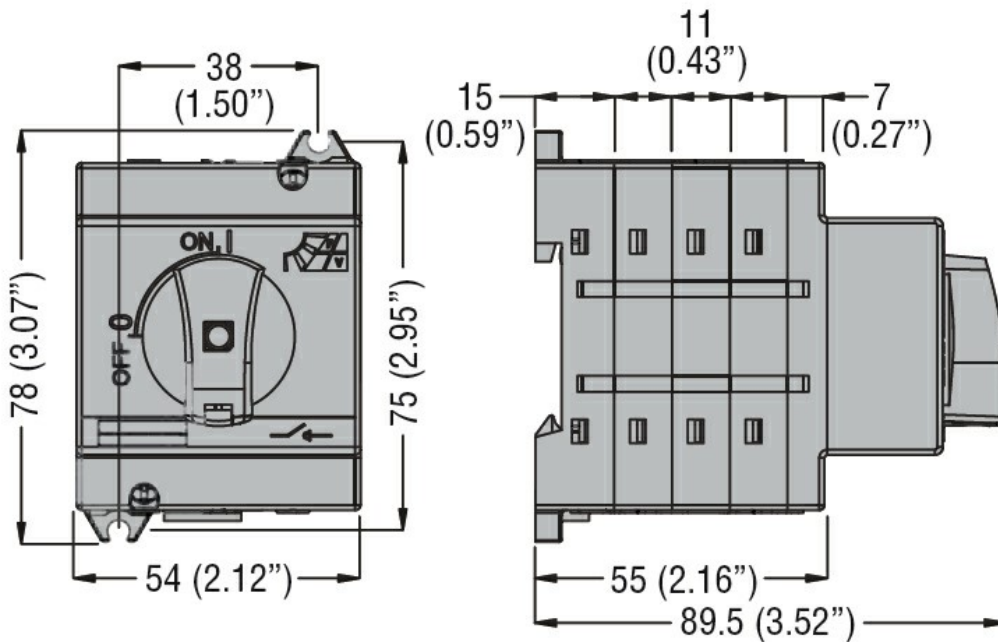
Storage temperature	min	°C	-40
	max	°C	+70

Max altitude	m	3000
--------------	---	------

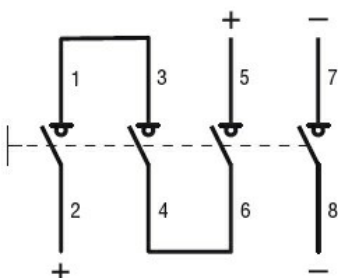
**Resistance & Protection**

Frontal IP degree	IP20
-------------------	------

**Dimensions**



**Wiring diagrams**



**Certifications and compliance**

Compliance

IEC/EN 60947-1

IEC/EN 60947-3

Certifications

EAC

ETIM classification

ETIM 8.0

EC000216 -  
Switch  
disconnector