



Product designation				Switch disconnecter
Product type designation				GD
Number of poles	Nr.			2
Operating voltage type				DC
Contact characteristics				
IEC Conventional free air thermal current I _{th}	A			32
Rated insulation voltage U _i IEC/EN	V			1500
Rated impulse withstand voltage U _{imp}	kV			8
Operating current I _e				
DC21A	600V	A	32	
	800V	A	32	
	1000V	A	32	
DC21B	600V	A	32	
	800V	A	32	
	1000V	A	32	
DCPV1				
	Operating current I _e 600V	A	32	
	Operating current I _e 800V	A	32	
DCPV1	600V	A	32	
	800V	A	32	
Power dissipation per pole max	W			1.2
Rated short time current (1s) I _{cs} (rms)	kA			0.5
Mechanical life	cycles			10000
Mechanical features				
Operating position	normal allowable	Vertical plan Any		
Fixing	Screw / DIN rail 35mm			
Terminals	type	Screw with washer		
	width	mm	5.6	
	height	mm	6.5	
	screw	M4		
	tool	Phillips 1		
Tightening torque for terminals	min	Nm	1.2	
	max	Nm	1.6	
	min	lbin	1.3	
	max	lbin	1.2	
Conductor section				

IEC min	mm ²	1
IEC max	mm ²	10
AWG/kcmil min		18
AWG/kcmil max		8

Ambient conditions

Operating temperature

min	°C	-25
max	°C	+55

Storage temperature

min	°C	-40
max	°C	+70

Max altitude

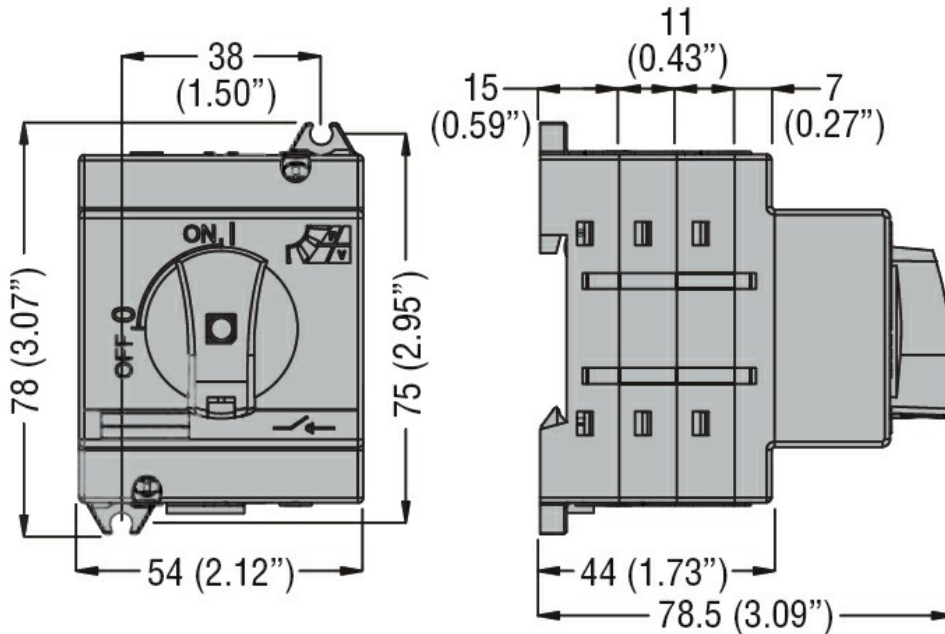
m	3000
---	------

Resistance & Protection

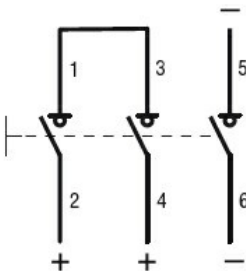
Frontal IP degree

IP20

Dimensions



Wiring diagrams



Certifications and compliance

Compliance

IEC/EN 60947-1
IEC/EN 60947-3

Certifications

EAC

ETIM classification

ETIM 8.0

EC000216 -
Switch
disconnector

