



Product designation				Switch disconnecter
Product type designation				GD
Number of poles		Nr.	2	
Operating voltage type				DC
Contact characteristics				
IEC Conventional free air thermal current I _{th}		A	25	
Rated insulation voltage U _i IEC/EN		V	1500	
Rated impulse withstand voltage U _{imp}		kV	8	
Operating current I _e				
DC21A				
	600V	A	25	
	800V	A	25	
	1000V	A	16	
DC21B				
	600V	A	25	
	800V	A	25	
	1000V	A	16	
DCPV1				
	Operating current I _e 600V	A	25	
	Operating current I _e 800V	A	25	
DCPV1				
	600V	A	25	
	800V	A	25	
Power dissipation per pole max		W	0.8	
Rated short time current (1s) I _{cs} (rms)		kA	0.5	
Mechanical life		cycles	10000	
Mechanical features				
Operating position		normal allowable	Vertical plan Any	
Fixing			Screw / DIN rail 35mm	
Terminals				
	type		Screw with washer	
	width	mm	5.6	
	height	mm	6.5	
	screw		M4	
	tool		Phillips 1	
Tightening torque for terminals				
	min	Nm	1.2	
	max	Nm	1.6	
	min	lbin	1.3	
	max	lbin	1.2	
Conductor section				

IEC min	mm ²	1
IEC max	mm ²	10
AWG/kcmil min		18
AWG/kcmil max		8

Ambient conditions

Operating temperature

min	°C	-25
max	°C	+55

Storage temperature

min	°C	-40
max	°C	+70

Max altitude

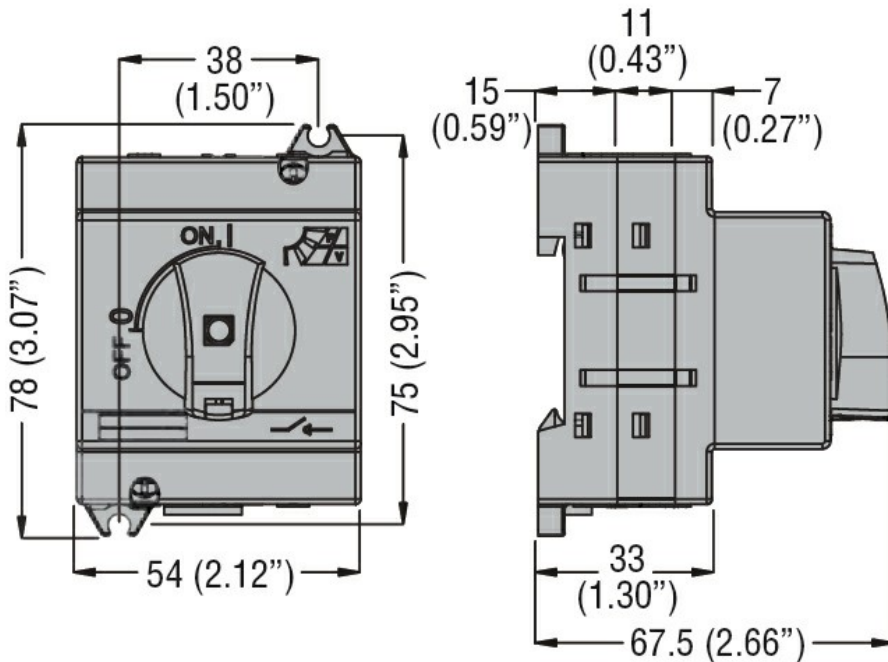
m	3000
---	------

Resistance & Protection

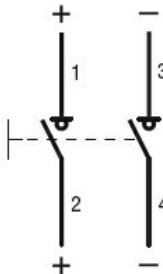
Frontal IP degree

IP20

Dimensions



Wiring diagrams



Certifications and compliance

Compliance

IEC/EN 60947-1
IEC/EN 60947-3

Certifications

EAC

ETIM classification

ETIM 8.0

EC000216 -
Switch
disconnecter