



Product designation				Enclosed switch disconnecter
Product type designation				GAZS
Number of poles		Nr.	3	
Operating voltage type			AC	
Contact characteristics				
IEC Conventional free air thermal current I _{th}		A	100	
Rated insulation voltage U _i IEC/EN		V	1000	
Rated impulse withstand voltage U _{imp}		kV	8	
Operating current I _e				
	AC21A			
		400V	A	100
		500V	A	100
		690V	A	100
	AC22A			
		400V	A	100
		500V	A	100
		690V	A	100
	AC23A			
		400V	A	100
		500V	A	80
		690V	A	47
Power dissipation per pole max			W	4
Rated operational power AC23A				
		400V	kW	55
		690V	kW	45
Conditional short-circuit current (rms)			kA	50
Short-circuit protection with fuse			Class/A	gG100
Making capacity AC23A 400V			A	1250
Breaking capacity AC23A 400V			A	1000
Mechanical life			cycles	30000
Electrical life AC21A			cycles	30000
Mechanical features				
Operating position		normal allowable	Vertical plan Any	
Terminals		type	Pillar	
		width	mm	12.4
		height	mm	10.4
		screw	M8	
		tool	Metric Allen key 4	
Tightening torque for terminals				
		min	Nm	5
		max	Nm	6

	min	lbin	45
	max	lbin	54

Conductor section

IEC min	mm ²	4
IEC max	mm ²	70
AWG/kcmil min		12
AWG/kcmil max		1

Ambient conditions

Operating temperature

min	°C	-25
max	°C	+55

Storage temperature

min	°C	-40
max	°C	+70

Max altitude

m	3000
---	------

Resistance & Protection

Frontal IP degree

IP65

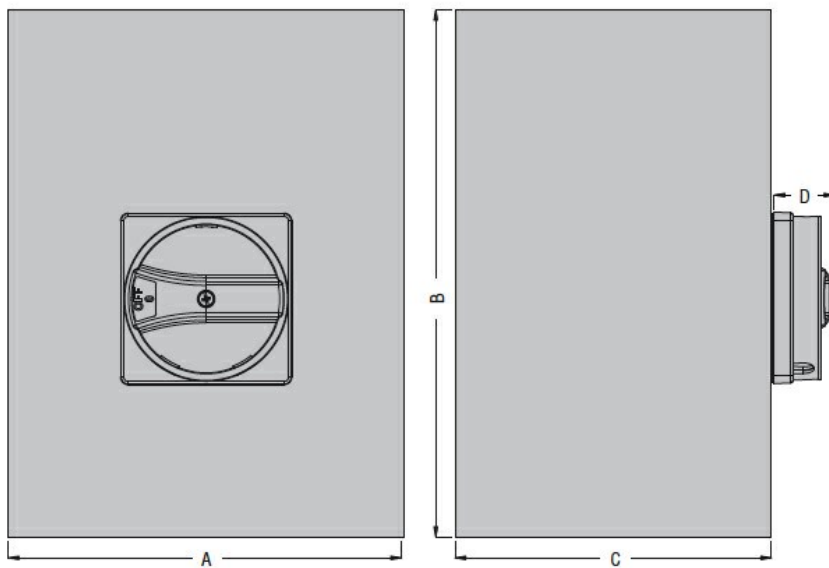
IP degree of protection

IP65

Pollution degree

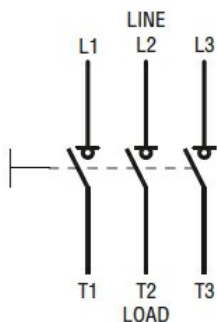
3

Dimensions



Type	A	B	C	D
GAZS016...GAZS100...	150 (5.90")	200 (7.87")	120 (4.72")	23 (0.90")

Wiring diagrams



Certifications and compliance

Compliance

IEC/EN 60947-1

IEC/EN 60947-3

ETIM classification

ETIM 8.0

EC000216 -
Switch
disconnecter