



Product designation				Enclosed switch disconnecter GAZS
Product type designation				Nr. 3
Number of poles				AC
Operating voltage type				
<b>Contact characteristics</b>				
IEC Conventional free air thermal current I <sub>th</sub>	A			63
Rated insulation voltage U <sub>i</sub> IEC/EN	V			1000
Rated impulse withstand voltage U <sub>imp</sub>	kV			8
Operating current I <sub>e</sub>				
AC21A				
	400V	A	63	
	500V	A	63	
	690V	A	63	
AC22A				
	400V	A	63	
	500V	A	63	
	690V	A	63	
AC23A				
	400V	A	63	
	500V	A	63	
	690V	A	47	
Power dissipation per pole max		W	1.6	
Rated operational power AC23A				
	400V	kW	30	
	690V	kW	45	
Conditional short-circuit current (rms)		kA	50	
Short-circuit protection with fuse		Class/A	gG63	
Making capacity AC23A 400V		A	1250	
Breaking capacity AC23A 400V		A	1000	
Mechanical life		cycles	30000	
Electrical life AC21A		cycles	30000	
<b>Mechanical features</b>				
Operating position		normal allowable	Vertical plan Any	
Terminals		type	Pillar	
		width	mm	12.4
		height	mm	10.4
		screw	M8	
		tool	Metric Allen key 4	
Tightening torque for terminals		min	Nm	5
		max	Nm	6

	min	lbin	45
	max	lbin	54

Conductor section

IEC min	mm <sup>2</sup>	4
IEC max	mm <sup>2</sup>	70
AWG/kcmil min		12
AWG/kcmil max		1

Ambient conditions

Operating temperature

min	°C	-25
max	°C	+55

Storage temperature

min	°C	-40
max	°C	+70

Max altitude

m	3000
---	------

Resistance & Protection

Frontal IP degree

IP65

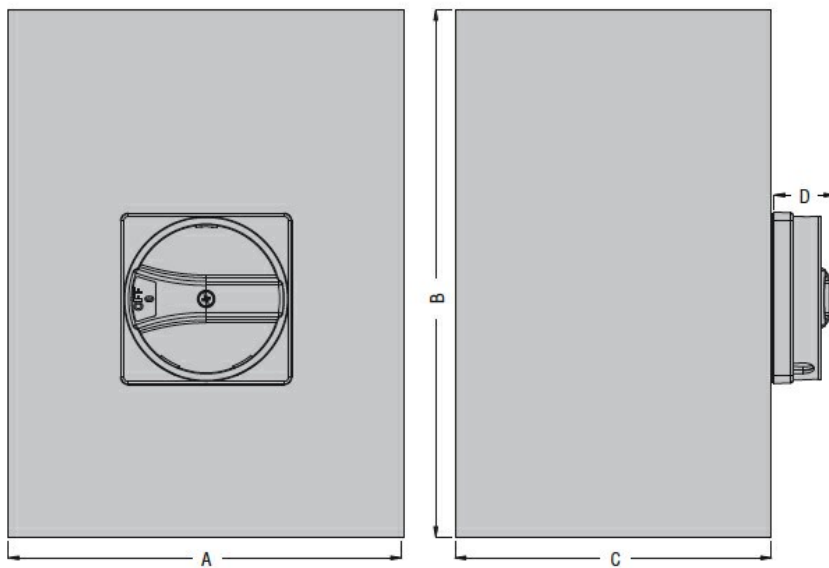
IP degree of protection

IP65

Pollution degree

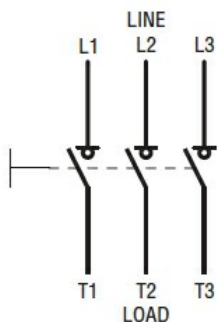
3

Dimensions



Type	A	B	C	D
GAZS016...GAZS100...	150 (5.90")	200 (7.87")	120 (4.72")	23 (0.90")

Wiring diagrams



Certifications and compliance

Compliance

IEC/EN 60947-1

IEC/EN 60947-3

ETIM classification

ETIM 8.0

EC000216 -  
Switch  
disconnecter