



|   |       |                  |         |                              |
|---|-------|------------------|---------|------------------------------|
| Product designation                                       |       |                  |         | Enclosed switch disconnecter |
| Product type designation                                  |       |                  |         | GAZS                         |
| Number of poles   |       | Nr.              |         | 3                            |
| Operating voltage type                                    |       |                  |         | AC                           |
| <b>Contact characteristics</b>                            |       |                  |         |                              |
| IEC Conventional free air thermal current I <sub>th</sub> |       | A                |         | 32                           |
| Rated insulation voltage U <sub>i</sub> IEC/EN            |       | V                |         | 1000                         |
| Rated impulse withstand voltage U <sub>imp</sub>          |       | kV               |         | 8                            |
| Operating current I <sub>e</sub>                          |       |                  |         |                              |
|   | AC21A |                  |         |                              |
|   |       | 400V             | A       | 32                           |
|   |       | 500V             | A       | 32                           |
|   |       | 690V             | A       | 32                           |
|   | AC22A |                  |         |                              |
|   |       | 400V             | A       | 32                           |
|   |       | 500V             | A       | 32                           |
|   |       | 690V             | A       | 32                           |
|   | AC23A |                  |         |                              |
|   |       | 400V             | A       | 32                           |
|   |       | 500V             | A       | 25                           |
|   |       | 690V             | A       | 25                           |
| Power dissipation per pole max                            |       |                  | W       | 0.6                          |
| Rated operational power AC23A                             |       |                  |         |                              |
|   |       | 400V             | kW      | 15                           |
|   |       | 690V             | kW      | 22                           |
| Conditional short-circuit current (rms)                   |       |                  | kA      | 10                           |
| Short-circuit protection with fuse                        |       |                  | Class/A | gG32                         |
| Making capacity AC23A 400V                                |       |                  | A       | 400                          |
| Breaking capacity AC23A 400V                              |       |                  | A       | 320                          |
| Mechanical life   |       |                  | cycles  | 100000                       |
| Electrical life AC21A                                     |       |                  | cycles  | 100000                       |
| <b>Mechanical features</b>                                |       |                  |         |                              |
| Operating position  |       | normal allowable |         | Vertical plan Any            |
| Terminals   |       |                  |         |                              |
|   |       | type             |         | Pillar                       |
|   |       | width            | mm      | 5.6                          |
|   |       | height           | mm      | 6.5                          |
|   |       | screw            |         | M4                           |
|   |       | tool             |         | Phillips 2                   |
| Tightening torque for terminals                           |       |                  |         |                              |
|   |       | min              | Nm      | 1.8                          |
|   |       | max              | Nm      | 2                            |

|  |     |      |    |
|--|-----|------|----|
|  | min | lbin | 16 |
|  | max | lbin | 18 |

Conductor section

|               |                 |      |
|---------------|-----------------|------|
| IEC min       | mm <sup>2</sup> | 0.75 |
| IEC max       | mm <sup>2</sup> | 16   |
| AWG/kcmil min |                 | 18   |
| AWG/kcmil max |                 | 6    |

Ambient conditions

Operating temperature

|     |    |     |
|-----|----|-----|
| min | °C | -25 |
| max | °C | +55 |

Storage temperature

|     |    |     |
|-----|----|-----|
| min | °C | -40 |
| max | °C | +70 |

Max altitude

|   |      |
|---|------|
| m | 3000 |
|---|------|

Resistance & Protection

Frontal IP degree

IP65

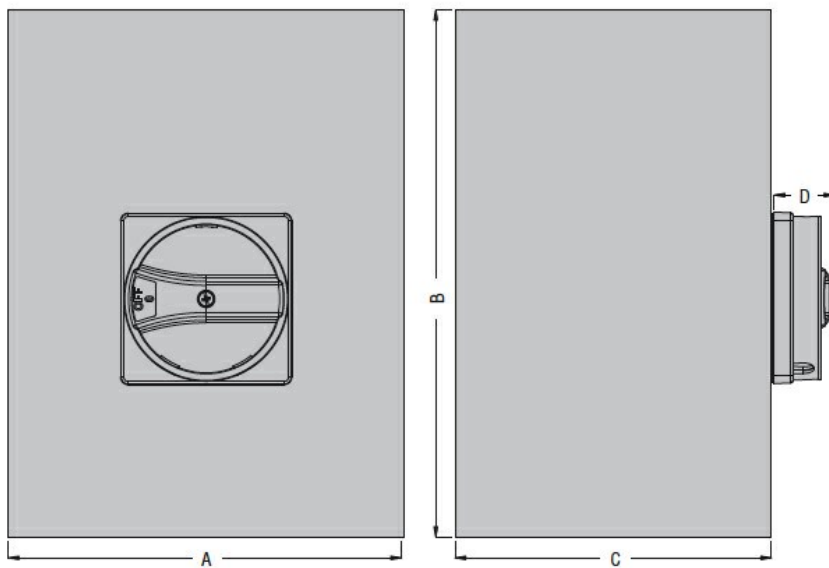
IP degree of protection

IP65

Pollution degree

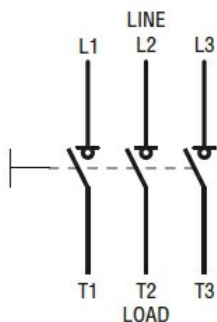
3

Dimensions



| Type                 | A           | B           | C           | D          |
|----------------------|-------------|-------------|-------------|------------|
| GAZS016...GAZS100... | 150 (5.90") | 200 (7.87") | 120 (4.72") | 23 (0.90") |

Wiring diagrams



Certifications and compliance

Compliance

IEC/EN 60947-1  
IEC/EN 60947-3

---

ETIM classification

ETIM 8.0

EC000216 -  
Switch  
disconnector