



Enclosed
changeover
switch
GAZM

Product designation

Product type designation

Number of poles

Operating voltage type

Nr. 3
AC

Contact characteristics

IEC Conventional free air thermal current I_{th} A 125

Rated insulation voltage U_i IEC/EN V 1000

Rated impulse withstand voltage U_{imp} kV 8

Operating current I_e

AC21A

400V A 125
500V A 125
690V A 125

AC22A

400V A 125
500V A 125
690V A 125

AC23A

400V A 125
500V A 100
690V A 47

Power dissipation per pole max W 6.3

Rated operational power AC23A

400V kW 55
690V kW 45

Conditional short-circuit current (rms) kA 50

Short-circuit protection with fuse Class/A gG125

Making capacity AC23A 400V A 1250

Breaking capacity AC23A 400V A 1000

Mechanical life cycles 30000

Electrical life AC21A cycles 30000

Mechanical features

Operating position

normal
allowable Vertical plan
Any

Terminals

type Pillar
width mm 12.4
height mm 10.4
screw M8
tool Metric Allen key 4

Tightening torque for terminals

min Nm 5

max	Nm	6
min	Ibin	45
max	Ibin	54

Conductor section

IEC min	mm ²	4
IEC max	mm ²	70
AWG/kcmil min		12
AWG/kcmil max		1

Ambient conditions

Operating temperature

min	°C	-25
max	°C	+55

Storage temperature

min	°C	-40
max	°C	+70

Max altitude

m	3000
---	------

Resistance & Protection

Frontal IP degree

IP65

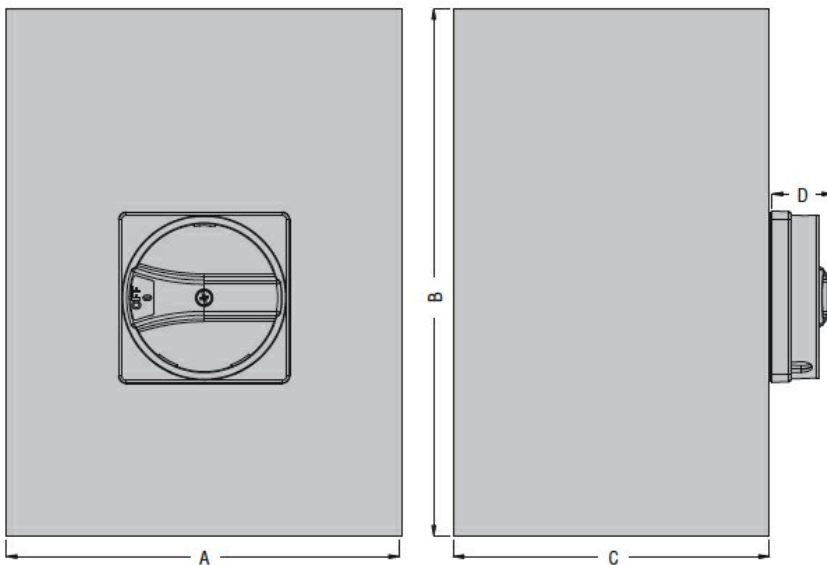
IP degree of protection

IP65

Pollution degree

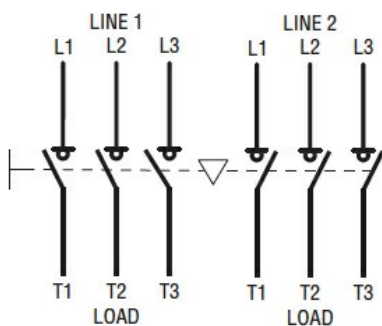
3

Dimensions



Type	A	B	C	D
GAZM063 ET6...GAZM160 ET6...	200 (7.87")	300 (11.81")	120 (4.72")	35 (1.38")

Wiring diagrams



Certifications and compliance

Compliance

IEC/EN 60947-1

IEC/EN 60947-3

ETIM classification

ETIM 8.0

EC000216 -
Switch
disconnector