



Product designation				Enclosed changeover switch
Product type designation				GAZM
Number of poles	Nr.			4
Operating voltage type				AC
Contact characteristics				
IEC Conventional free air thermal current I _{th}	A			80
Rated insulation voltage U _i IEC/EN	V			1000
Rated impulse withstand voltage U _{imp}	kV			8
Operating current I _e				
AC21A		400V	A	80
		500V	A	80
		690V	A	80
AC22A		400V	A	80
		500V	A	80
		690V	A	80
AC23A		400V	A	80
		500V	A	63
		690V	A	47
Power dissipation per pole max		W	2.6	
Rated operational power AC23A		400V	kW	45
		690V	kW	45
Conditional short-circuit current (rms)		kA	50	
Short-circuit protection with fuse		Class/A	gG80	
Making capacity AC23A 400V		A	1250	
Breaking capacity AC23A 400V		A	1000	
Mechanical life		cycles	30000	
Electrical life AC21A		cycles	30000	
Mechanical features				
Operating position		normal allowable	Vertical plan Any	
Terminals		type	Pillar	
		width	mm	12.4
		height	mm	10.4
		screw	M8	
		tool	Metric Allen key 4	
Tightening torque for terminals		min	Nm	5

max	Nm	6
min	Ibin	45
max	Ibin	54

Conductor section

IEC min	mm ²	4
IEC max	mm ²	70
AWG/kcmil min		12
AWG/kcmil max		1

Ambient conditions

Operating temperature

min	°C	-25
max	°C	+55

Storage temperature

min	°C	-40
max	°C	+70

Max altitude

m	3000
---	------

Resistance & Protection

Frontal IP degree

IP65

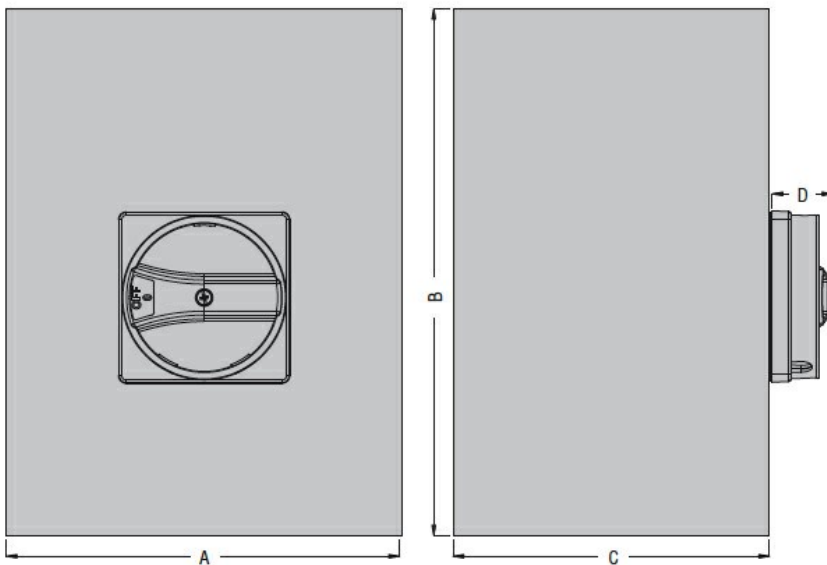
IP degree of protection

IP65

Pollution degree

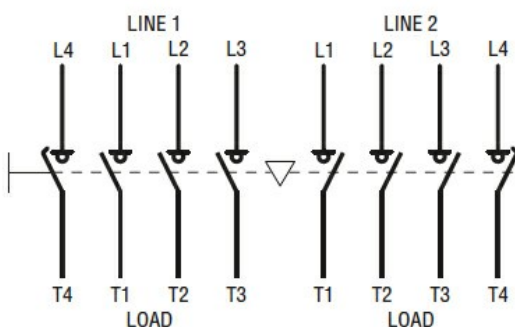
3

Dimensions



Type	A	B	C	D
GAZM063 ET8...GAZM160 ET8...	300 (11.81")	400 (15.75")	120 (4.72")	35 (1.38")

Wiring diagrams



Certifications and compliance

Compliance

IEC/EN 60947-1

IEC/EN 60947-3

ETIM classification

ETIM 8.0

EC000216 -
Switch
disconnecter