



Product designation				Enclosed switch disconnecter
Product type designation				GAZM
Number of poles		Nr.		3
Operating voltage type				AC
Contact characteristics				
IEC Conventional free air thermal current I _{th}		A		63
Rated insulation voltage U _i IEC/EN		V		1000
Rated impulse withstand voltage U _{imp}		kV		8
Operating current I _e				
AC21A				
	400V	A		63
	500V	A		63
	690V	A		63
AC22A				
	400V	A		63
	500V	A		63
	690V	A		63
AC23A				
	400V	A		63
	500V	A		63
	690V	A		47
Power dissipation per pole max		W		1.6
Rated operational power AC23A				
	400V	kW		30
	690V	kW		45
Conditional short-circuit current (rms)		kA		50
Short-circuit protection with fuse		Class/A		gG63
Making capacity AC23A 400V		A		1250
Breaking capacity AC23A 400V		A		1000
Mechanical life		cycles		30000
Electrical life AC21A		cycles		30000
Mechanical features				
Operating position		normal allowable		Vertical plan Any
Terminals				
		type		Pillar
		width	mm	12.4
		height	mm	10.4
		screw		M8
		tool		Metric Allen key 4
Tightening torque for terminals				
	min	Nm		5
	max	Nm		6

	min	lbin	45
	max	lbin	54
Conductor section			
	IEC min	mm ²	4
	IEC max	mm ²	70
	AWG/kcmil min		12
	AWG/kcmil max		1

Ambient conditions

Operating temperature			
	min	°C	-25
	max	°C	+55

Storage temperature			
	min	°C	-40
	max	°C	+70

Max altitude			m	3000
---------------------	--	--	---	------

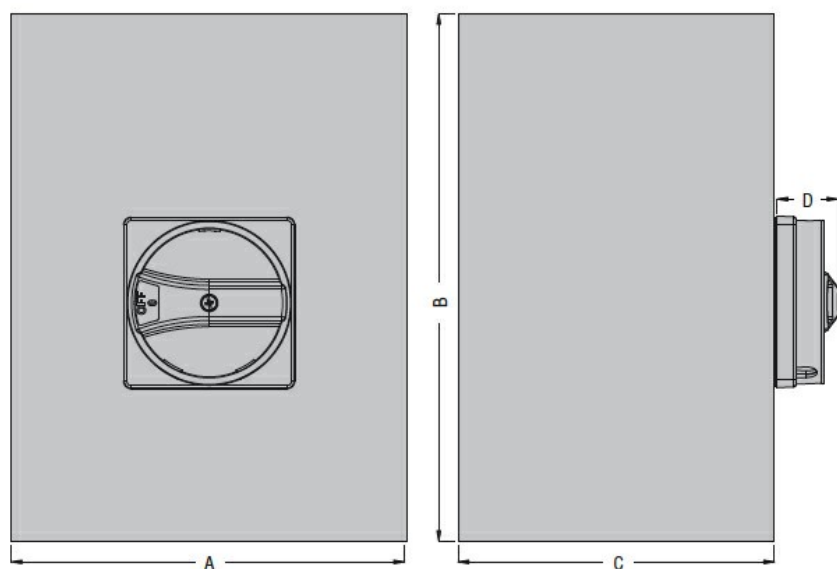
Resistance & Protection

Frontal IP degree			IP65	
--------------------------	--	--	------	--

IP degree of protection			IP65	
--------------------------------	--	--	------	--

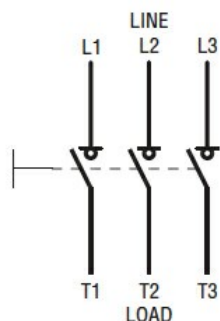
Pollution degree			3	
-------------------------	--	--	---	--

Dimensions



Type	A	B	C	D
GAZM016...GAZM100...	150 (5.90")	200 (7.87")	120 (4.72")	23 (0.90")

Wiring diagrams



Certifications and compliance

Compliance

IEC/EN 60947-1

IEC/EN 60947-3

ETIM classification

ETIM 8.0

EC000216 -
Switch
disconnecter