



Product designation

Empty plastic
 enclosures

Product type designation

GAZ

Resistance & Protection

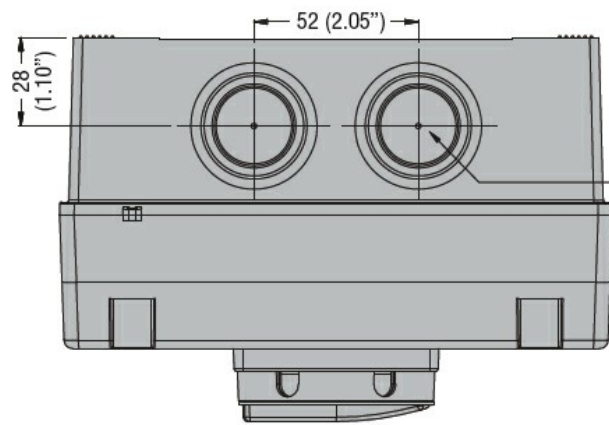
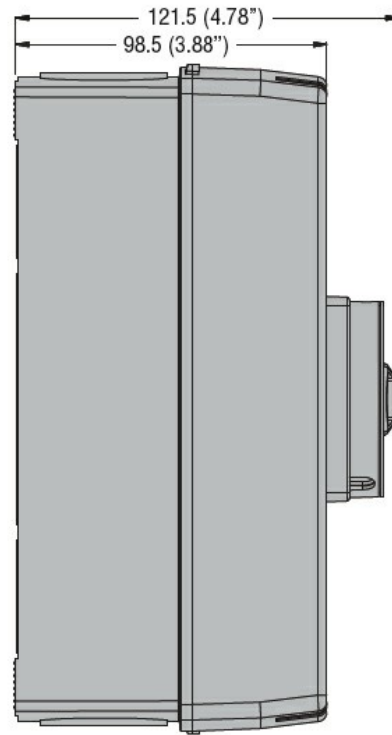
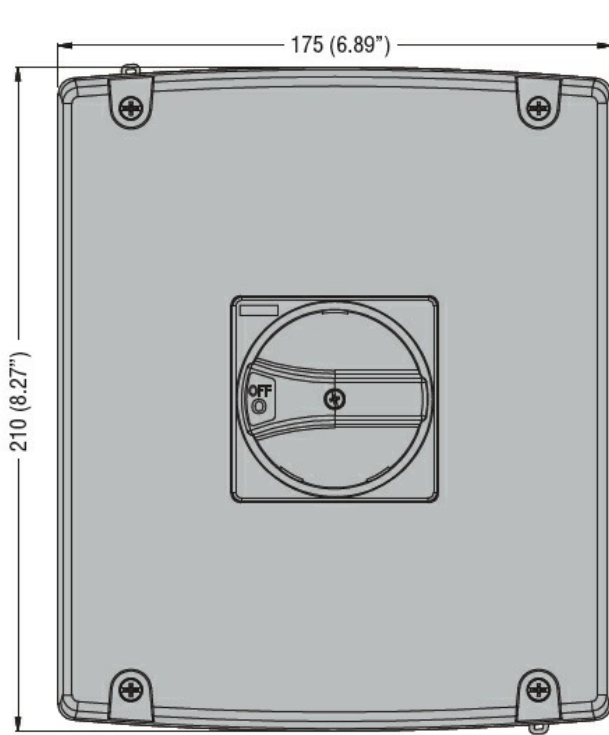
UL degree of protection

UL/CSA Type
 4/4X

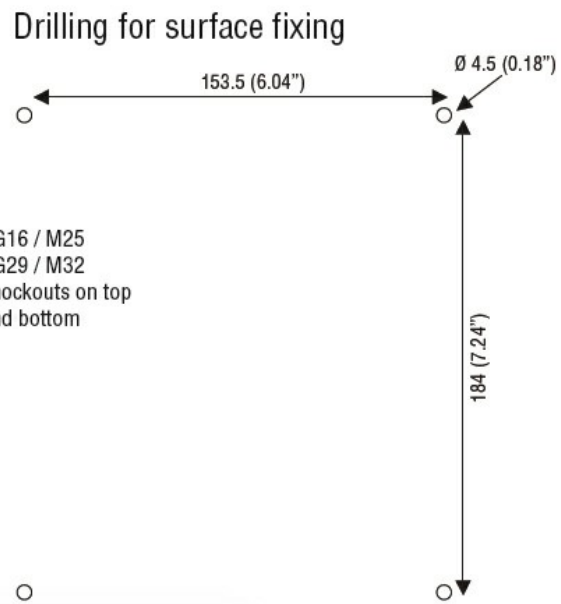
IP degree of protection

IP65

Dimensions



PG16 / M25
PG29 / M32
knockouts on top
and bottom



Certifications and compliance

Compliance

IEC/EN 60947-1
IEC/EN 60947-3

Certifications

cULus
EAC

ETIM classification

ETIM 8.0

EC000712 -
Empty enclosure
for switchgear