



Empty plastic enclosures
GAZ

Product designation

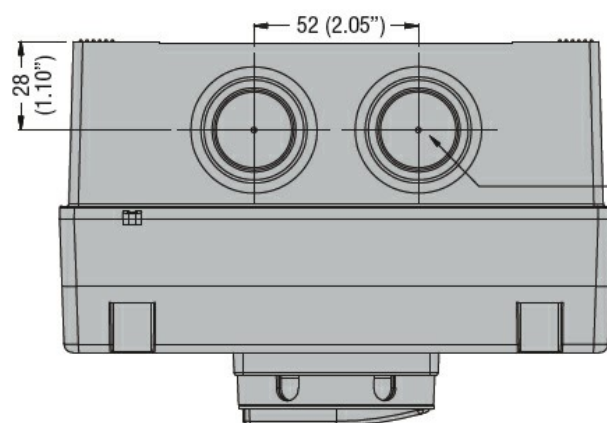
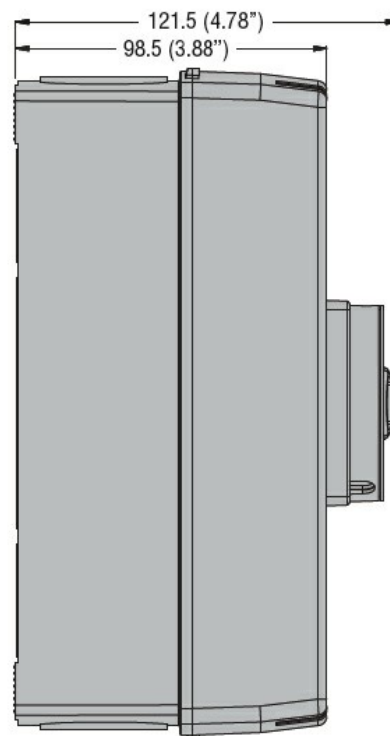
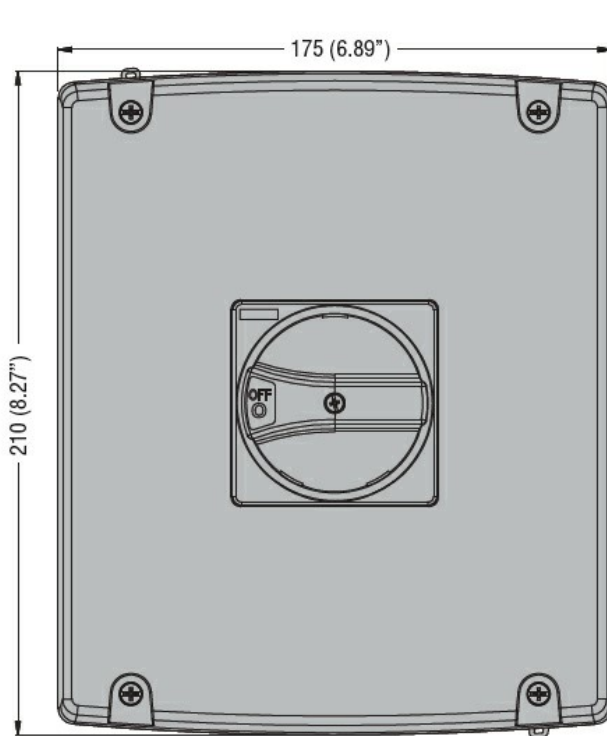
Product type designation

Resistance & Protection

IP degree of protection

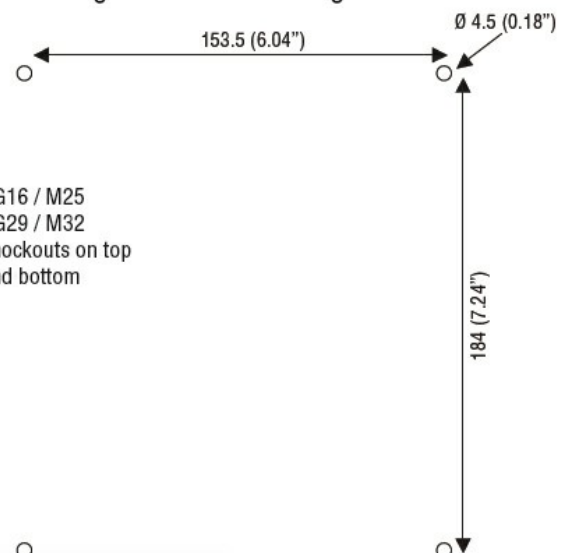
IP65

Dimensions



PG16 / M25
PG29 / M32
knockouts on top
and bottom

Drilling for surface fixing



Certifications and compliance

Compliance

IEC/EN 60947-1

IEC/EN 60947-3

Certifications

EAC

ETIM classification

ETIM 8.0

EC000712 -
Empty enclosure
for switchgear