



Empty plastic enclosures  
GAZ

Product designation

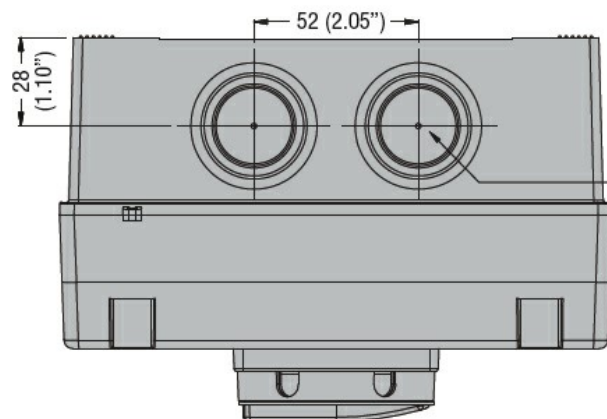
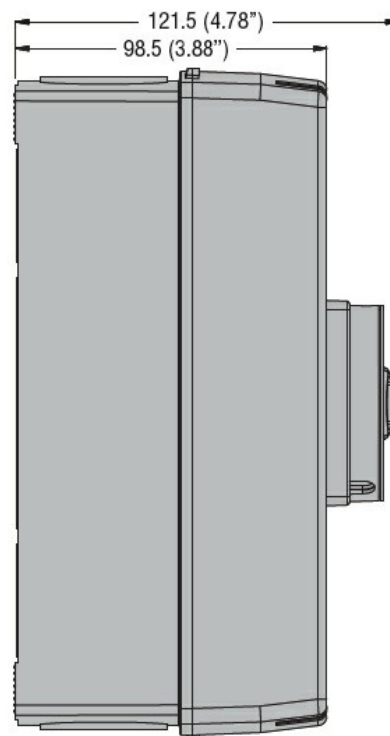
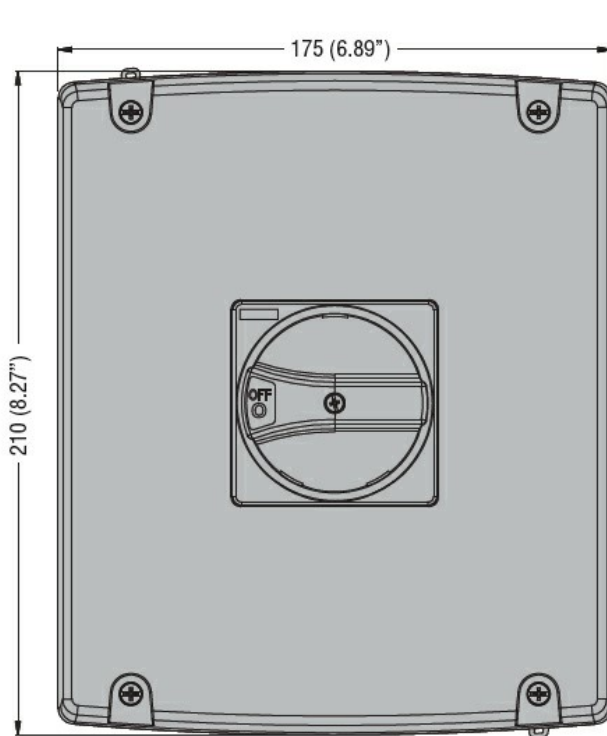
Product type designation

Resistance & Protection

IP degree of protection

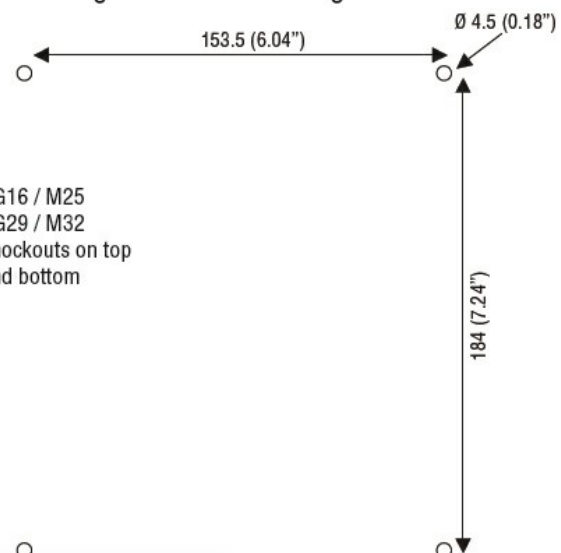
IP65

Dimensions



PG16 / M25  
PG29 / M32  
knockouts on top  
and bottom

Drilling for surface fixing



**Certifications and compliance**

Compliance

IEC/EN 60947-1

IEC/EN 60947-3

Certifications

EAC

**ETIM classification**

ETIM 8.0

EC000712 -  
Empty enclosure  
for switchgear