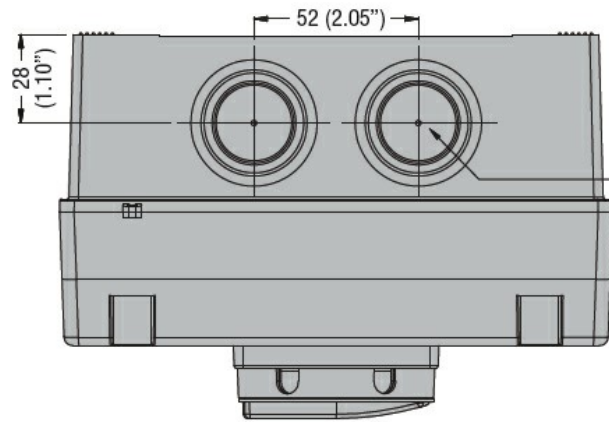
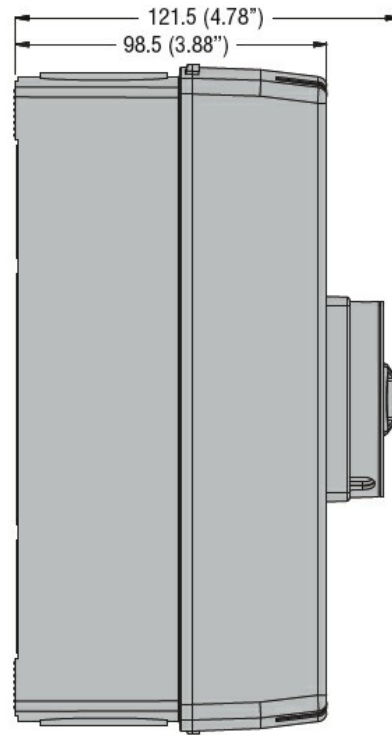
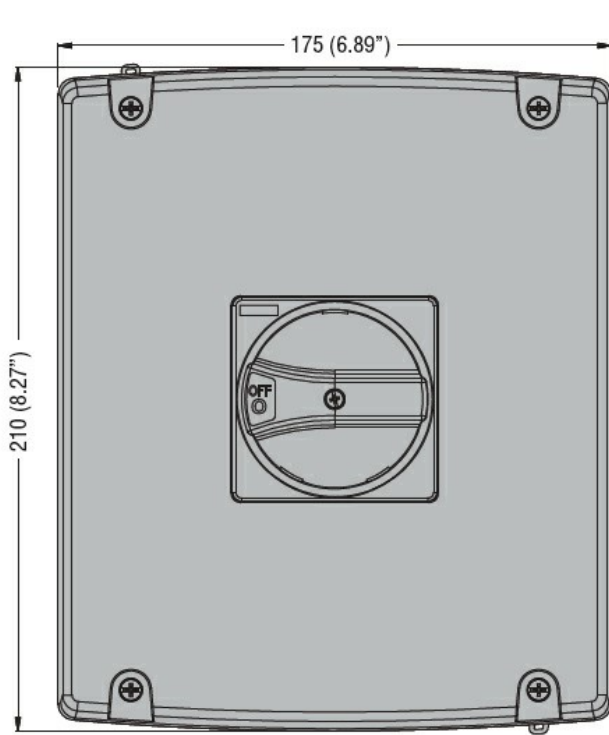


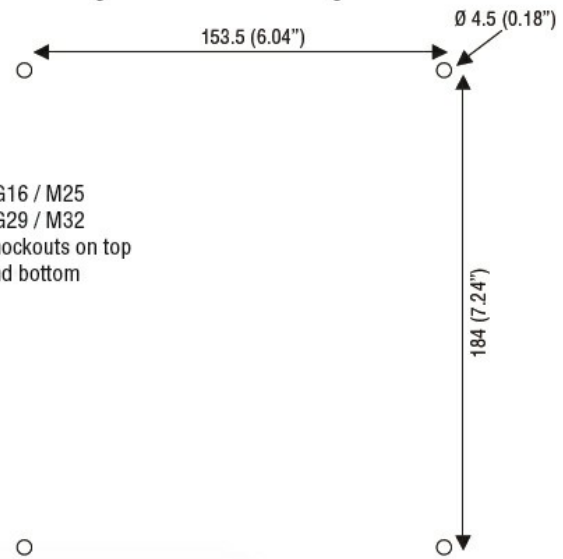


Product designation				Enclosed switch disconnecter	
Product type designation				GAZ	
Number of poles	Nr.			4	
Operating voltage type				AC	
Contact characteristics					
IEC Conventional free air thermal current I _{th}	A			100	
Rated insulation voltage U _i IEC/EN	V			1000	
Rated impulse withstand voltage U _{imp}	kV			8	
Operating current I _e					
AC21A		400V	A	100	
		500V	A	100	
		690V	A	100	
AC22A		400V	A	100	
		500V	A	100	
		690V	A	100	
AC23A		400V	A	100	
		500V	A	80	
		690V	A	47	
Power dissipation per pole max	W			4	
Rated operational power AC23A		400V	kW	55	
		690V	kW	45	
Conditional short-circuit current (rms)	kA			50	
Short-circuit protection with fuse	Class/A			gG100	
Making capacity AC23A 400V	A			1000	
Breaking capacity AC23A 400V	A			800	
Mechanical life	cycles			30000	
Electrical life AC21A	cycles			30000	
Mechanical features					
Operating position	normal allowable			Vertical plan Any	
Terminals	type			Pillar	
	width	mm			12.4
	height	mm			10.4
	screw			M8	
	tool			Metric Allen key 4	
Tightening torque for terminals	min	Nm			5
	max	Nm			6

	min	lbin	45
	max	lbin	54
<hr/>			
Conductor section			
	IEC min	mm ²	4
	IEC max	mm ²	70
	AWG/kcmil min		12
	AWG/kcmil max		1
<hr/>			
Ambient conditions			
Operating temperature			
	min	°C	-25
	max	°C	+55
<hr/>			
Storage temperature			
	min	°C	-40
	max	°C	+70
<hr/>			
Max altitude		m	3000
<hr/>			
Resistance & Protection			
Frontal IP degree			IP65
IP degree of protection			IP65
Pollution degree			3
<hr/>			
Dimensions			

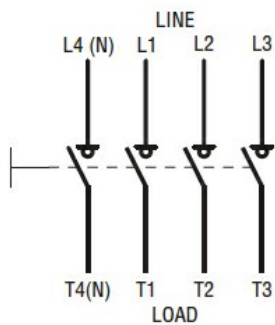


Drilling for surface fixing



PG16 / M25
 PG29 / M32
 knockouts on top
 and bottom

Wiring diagrams



Certifications and compliance

Compliance

IEC/EN 60947-1

IEC/EN 60947-3

Certifications

EAC

ETIM classification

ETIM 8.0

EC000216 -
Switch
disconnector