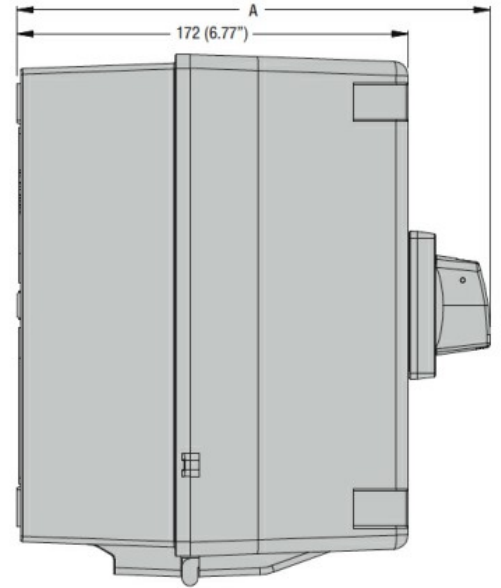
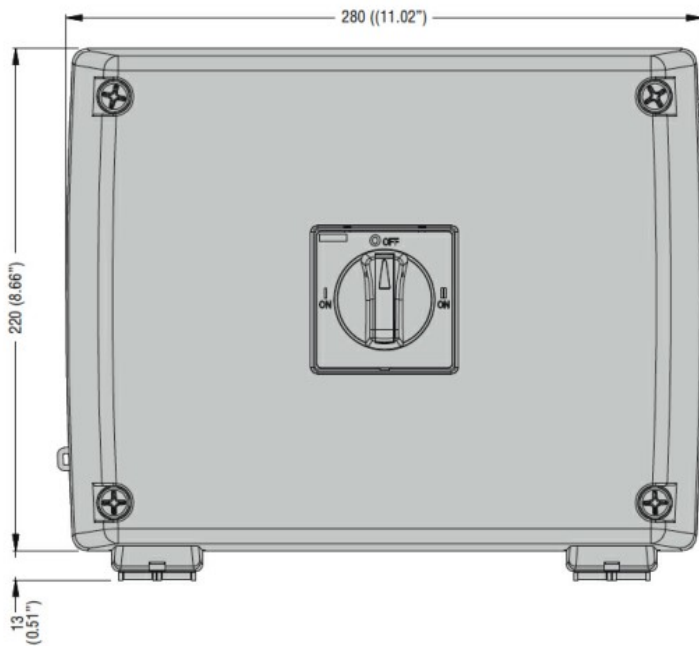


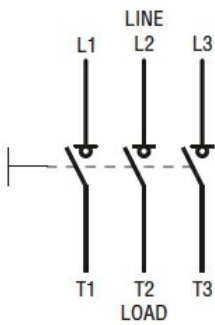


Product designation				Enclosed switch disconnecter
Product type designation				GAZ
Number of poles		Nr.		3
Operating voltage type				AC
<b>Contact characteristics</b>				
IEC Conventional free air thermal current I <sub>th</sub>		A		63
Rated insulation voltage U <sub>i</sub> IEC/EN		V		1000
Rated impulse withstand voltage U <sub>imp</sub>		kV		8
Operating current I <sub>e</sub>				
	AC21A			
		400V	A	63
		500V	A	63
		690V	A	63
	AC22A			
		400V	A	63
		500V	A	45
		690V	A	45
	AC23A			
		400V	A	45
		500V	A	25
		690V	A	25
Power dissipation per pole max			W	2.9
Rated operational power AC23A				
		400V	kW	22
		690V	kW	22
Rated short time current (1s) I <sub>cw</sub> (rms)			kA	0.8
Conditional short-circuit current (rms)			kA	10
Short-circuit protection with fuse		Class/A		gG63
Making capacity AC23A 400V		A		450
Breaking capacity AC23A 400V		A		360
Mechanical life			cycles	100000
Electrical life AC21A			cycles	15000
<b>Mechanical features</b>				
Operating position		normal allowable		Vertical plan Any
Terminals		type		Pillar
		width	mm	5.6
		height	mm	6.5
		screw		M4
		tool		Phillips 2
Tightening torque for terminals		min	Nm	1.8

	max	Nm	2
	min	lbin	16
	max	lbin	18
<hr/>			
Conductor section			
	IEC min	mm <sup>2</sup>	0.75
	IEC max	mm <sup>2</sup>	16
	AWG/kcmil min		18
	AWG/kcmil max		6
<hr/>			
<b>UL technical data</b>			
General purpose current rating		A	60
Operating voltage max		V	600
<hr/>			
Horsepower/FLA current single phase motor			
	120V	HP	2/24
	240V	HP	7,5/40
<hr/>			
Horsepower/FLA current three phase motor			
	200-208V	HP	10/32.2
	240V	HP	15/42
	480V	HP	30/40
	600V	HP	30/32
<hr/>			
Short circuit rating		kA rms	5
Short circuit rating with fuse		Class/A	RK5/45
<hr/>			
<b>Ambient conditions</b>			
Operating temperature			
	min	°C	-25
	max	°C	+55
<hr/>			
Storage temperature			
	min	°C	-40
	max	°C	+70
<hr/>			
Max altitude		m	3000
<hr/>			
<b>Resistance &amp; Protection</b>			
Frontal IP degree			IP65
UL degree of protection			UL/CSA Type 4/4X
IP degree of protection			IP65
Pollution degree			3
<hr/>			
<b>Dimensions</b>			



### Wiring diagrams



### Certifications and compliance

#### Compliance

IEC/EN 60947-1

IEC/EN 60947-3

#### Certifications

cULus

EAC

### ETIM classification

ETIM 8.0

EC000216 -  
Switch  
disconnecter