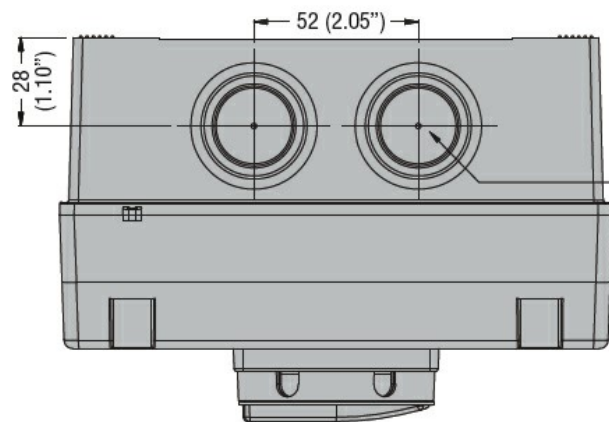
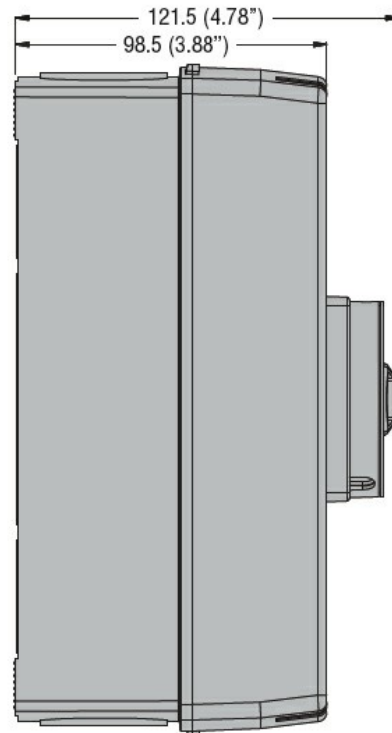
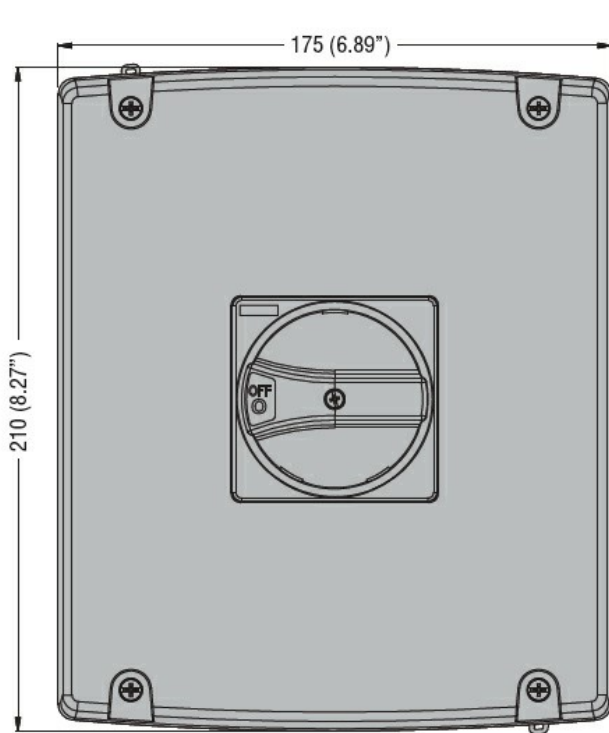


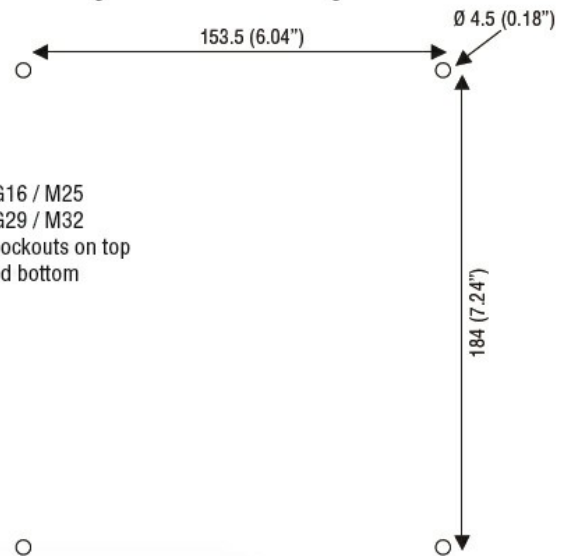


Product designation				Enclosed switch disconnecter	
Product type designation				GAZ	
Number of poles	Nr.			4	
Operating voltage type				AC	
<b>Contact characteristics</b>					
IEC Conventional free air thermal current I <sub>th</sub>	A			63	
Rated insulation voltage U <sub>i</sub> IEC/EN	V			1000	
Rated impulse withstand voltage U <sub>imp</sub>	kV			8	
Operating current I <sub>e</sub>					
AC21A		400V	A	63	
		500V	A	63	
		690V	A	63	
AC22A		400V	A	63	
		500V	A	45	
		690V	A	45	
AC23A		400V	A	45	
		500V	A	25	
		690V	A	25	
Power dissipation per pole max	W			2.9	
Rated operational power AC23A		400V	kW	22	
		690V	kW	22	
Conditional short-circuit current (rms)	kA			10	
Short-circuit protection with fuse	Class/A			gG63	
Making capacity AC23A 400V	A			450	
Breaking capacity AC23A 400V	A			360	
Mechanical life	cycles			100000	
Electrical life AC21A	cycles			15000	
<b>Mechanical features</b>					
Operating position	normal allowable			Vertical plan Any	
Terminals	type			Pillar	
	width	mm			5.6
	height	mm			6.5
	screw			M4	
	tool			Phillips 2	
Tightening torque for terminals	min	Nm			1.8
	max	Nm			2

	min	Ibin	16
	max	Ibin	18
<hr/>			
Conductor section			
	IEC min	mm <sup>2</sup>	0.75
	IEC max	mm <sup>2</sup>	16
	AWG/kcmil min		18
	AWG/kcmil max		6
<hr/>			
<b>Ambient conditions</b>			
Operating temperature			
	min	°C	-25
	max	°C	+55
<hr/>			
Storage temperature			
	min	°C	-40
	max	°C	+70
<hr/>			
Max altitude		m	3000
<hr/>			
<b>Resistance &amp; Protection</b>			
Frontal IP degree			IP65
IP degree of protection			IP65
Pollution degree			3
<hr/>			
<b>Dimensions</b>			

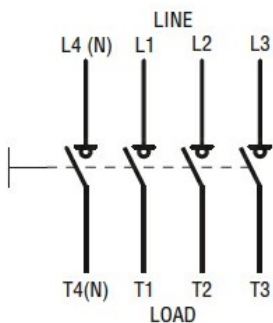


Drilling for surface fixing



PG16 / M25  
PG29 / M32  
knockouts on top  
and bottom

Wiring diagrams



Certifications and compliance

Compliance

IEC/EN 60947-1

IEC/EN 60947-3

Certifications

EAC

ETIM classification

ETIM 8.0

EC000216 -  
Switch  
disconnecter