



Product designation				Enclosed changeover switch
Product type designation				GAZ
Number of poles	Nr.			3
Operating voltage type				AC
<b>Contact characteristics</b>				
IEC Conventional free air thermal current I <sub>th</sub>	A			63
Rated insulation voltage U <sub>i</sub> IEC/EN	V			1000
Rated impulse withstand voltage U <sub>imp</sub>	kV			8
Operating current I <sub>e</sub>				
AC21A	400V	A	63	
	500V	A	63	
	690V	A	63	
AC22A	400V	A	63	
	500V	A	45	
	690V	A	45	
AC23A	400V	A	45	
	500V	A	25	
	690V	A	25	
Power dissipation per pole max	W			2.9
Rated operational power AC23A	400V	kW	22	
	690V	kW	22	
Conditional short-circuit current (rms)	kA			10
Short-circuit protection with fuse	Class/A			gG63
Making capacity AC23A 400V	A			450
Breaking capacity AC23A 400V	A			360
Mechanical life	cycles			100000
Electrical life AC21A	cycles			15000
<b>Mechanical features</b>				
Operating position	normal allowable			Vertical plan Any
Terminals	type			Pillar
	width	mm	5.6	
	height	mm	6.5	
	screw			M4
	tool			Phillips 2
Tightening torque for terminals	min	Nm	1.8	

max	Nm	2
min	lbin	16
max	lbin	18

Conductor section

IEC min	mm <sup>2</sup>	0.75
IEC max	mm <sup>2</sup>	16
AWG/kcmil min		18
AWG/kcmil max		6

Ambient conditions

Operating temperature

min	°C	-25
max	°C	+55

Storage temperature

min	°C	-40
max	°C	+70

Max altitude

m	3000
---	------

Resistance & Protection

Frontal IP degree

IP65

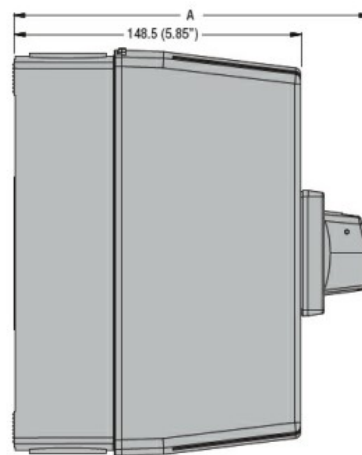
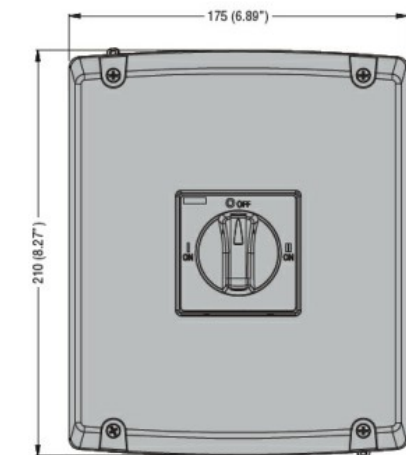
IP degree of protection

IP65

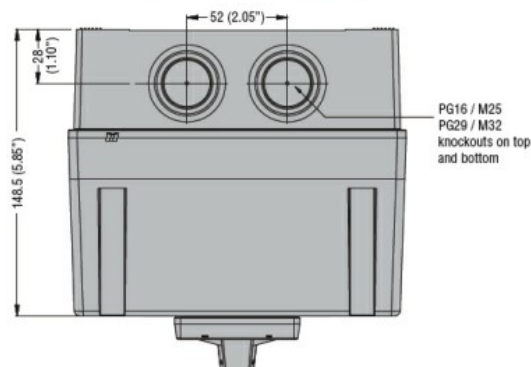
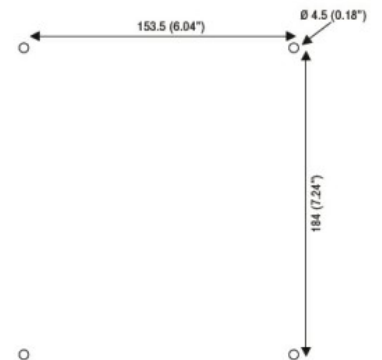
Pollution degree

3

Dimensions

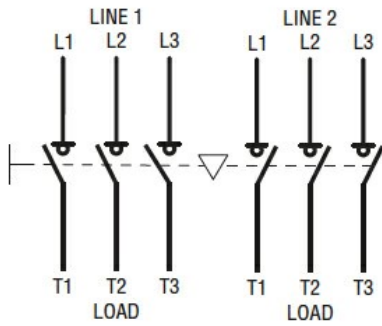


Drilling



Type	A
GAZ032 D...	171.5 (6.75")
GAZ040 D...	171.5 (6.75")
GAZ025 ET...	183.5 (7.22")
GAZ063 SAET...	183.5 (7.22")

Wiring diagrams



**Certifications and compliance**

Compliance

IEC/EN 60947-1  
 IEC/EN 60947-3  
 UL 508 e CSA C22.2 n°14

Certifications

cCSAus  
 EAC

**ETIM classification**

ETIM 8.0

EC000216 -  
 Switch  
 disconnecter