



Product designation

Enclosed switch
disconnecter

Product type designation

GAZ

Number of poles

Nr. 3

Operating voltage type

AC

Contact characteristics

IEC Conventional free air thermal current I _{th}	A	40
---	---	----

Rated insulation voltage U _i IEC/EN	V	1000
--	---	------

Rated impulse withstand voltage U _{imp}	kV	8
--	----	---

Operating current I_e

AC21A

400V	A	40
500V	A	40
690V	A	40

AC22A

400V	A	40
500V	A	40
690V	A	40

AC23A

400V	A	40
500V	A	25
690V	A	25

Power dissipation per pole max	W	1
--------------------------------	---	---

Rated operational power AC23A

400V	kW	18.5
690V	kW	22

Conditional short-circuit current (rms)	kA	10
---	----	----

Short-circuit protection with fuse	Class/A	gG40
------------------------------------	---------	------

Making capacity AC23A 400V	A	400
----------------------------	---	-----

Breaking capacity AC23A 400V	A	320
------------------------------	---	-----

Mechanical life	cycles	100000
-----------------	--------	--------

Electrical life AC21A	cycles	100000
-----------------------	--------	--------

Mechanical features

Operating position

normal allowable	Vertical plan
	Any

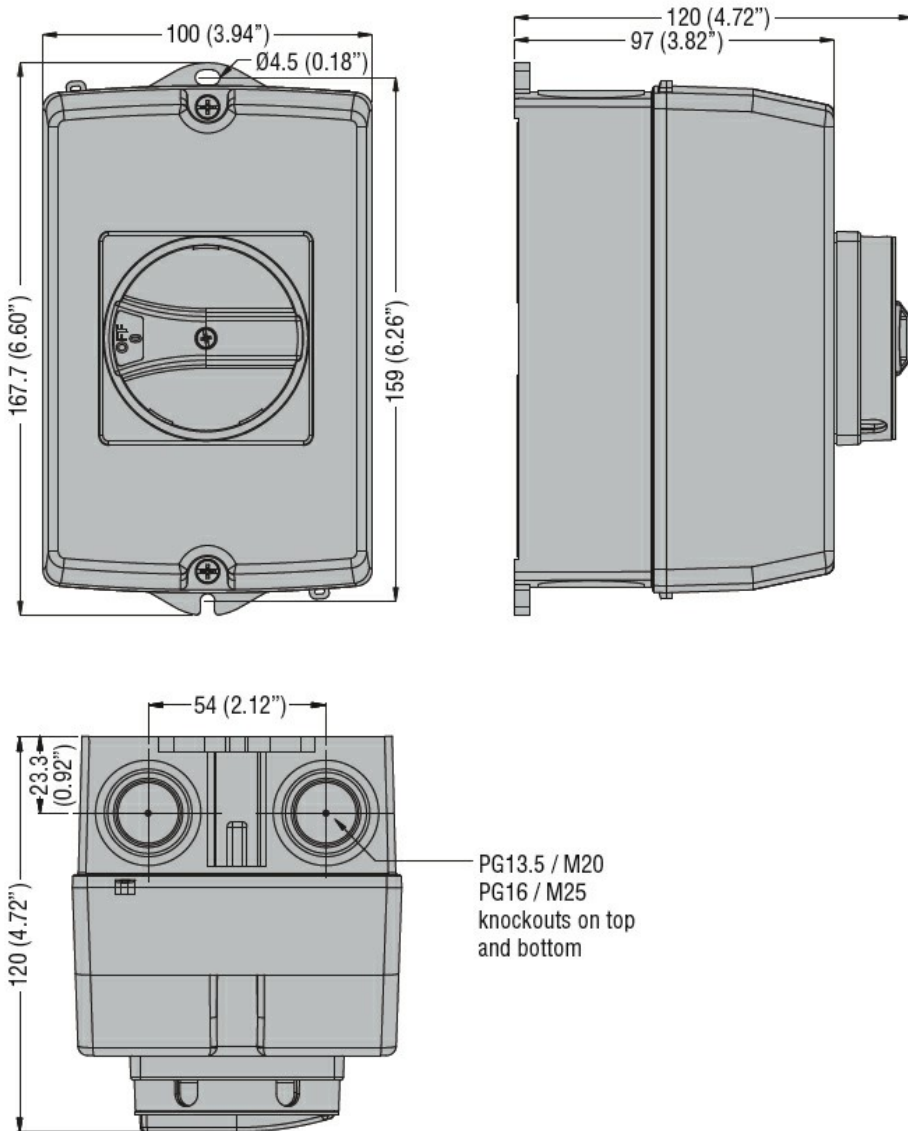
Terminals

type	Pillar
width	mm 5.6
height	mm 6.5
screw	M4
tool	Phillips 2

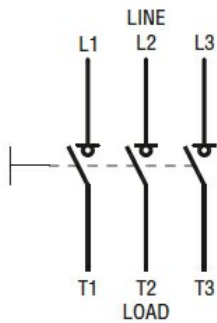
Tightening torque for terminals

min	Nm	1.8
max	Nm	2

	min	lbin	16
	max	lbin	18
<hr/>			
Conductor section			
	IEC min	mm ²	0.75
	IEC max	mm ²	16
	AWG/kcmil min		18
	AWG/kcmil max		6
<hr/>			
UL technical data			
General purpose current rating		A	40
Operating voltage max		V	600
<hr/>			
Horsepower/FLA current single phase motor			
	120V	HP	2/24
	240V	HP	5/28
<hr/>			
Horsepower/FLA current three phase motor			
	200-208V	HP	10/32.2
	240V	HP	15/42
	480V	HP	20/27
	600V	HP	25/27
<hr/>			
Short circuit rating		kA rms	5
Short circuit rating with fuse		Class/A	RK5/45
<hr/>			
Ambient conditions			
Operating temperature			
	min	°C	-25
	max	°C	+55
<hr/>			
Storage temperature			
	min	°C	-40
	max	°C	+70
<hr/>			
Max altitude		m	3000
<hr/>			
Resistance & Protection			
Frontal IP degree			IP65
UL degree of protection			UL/CSA Type 4/4X
IP degree of protection			IP65
Pollution degree			3
<hr/>			
Dimensions			



Wiring diagrams



Certifications and compliance

Compliance

IEC/EN 60947-1

IEC/EN 60947-3

Certifications

cULus

EAC

ETIM classification

ETIM 8.0

EC000216 -
Switch
disconnecter