



Product designation				Enclosed switch disconnecter
Product type designation				GAZ...DT...
Number of poles		Nr.	2	
Operating voltage type			DC	
Contact characteristics				
IEC Conventional free air thermal current I _{th}		A	40	
Rated insulation voltage U _i IEC/EN		V	1500	
Rated impulse withstand voltage U _{imp}		kV	8	
Operating current I _e				
	DC21A			
		600V	A	40
		800V	A	40
		1000V	A	40
		1200V	A	32
		1500V	A	25
	DC21B			
		600V	A	40
		800V	A	40
		1000V	A	40
		1200V	A	32
		1500V	A	25
DCPV1				
		Operating current I _e 600V	A	40
		Operating current I _e 800V	A	40
		Operating current I _e 1200V	A	32
		Operating current I _e 1500V	A	25
	DCPV1			
		600V	A	40
		800V	A	40
		1200V	A	32
		1500V	A	25
Power dissipation per pole max		W	1.9	
Rated short time current (1s) I _{cs} (rms)		kA	0.5	
Mechanical life		cycles	10000	
Mechanical features				
Operating position		normal allowable	Vertical plan Any	
Terminals		type	Screw with washer	
		width	mm	5.6
		height	mm	6.5
		screw	M4	
		tool	Phillips 1	

Tightening torque for terminals

min	Nm	1.2
max	Nm	1.6
min	lbin	10
max	lbin	14

Conductor section

IEC min	mm ²	1
IEC max	mm ²	10
AWG/kcmil min		18
AWG/kcmil max		8

Ambient conditions

Operating temperature

min	°C	-25
max	°C	+55

Storage temperature

min	°C	-40
max	°C	+70

Max altitude

m	3000
---	------

Resistance & Protection

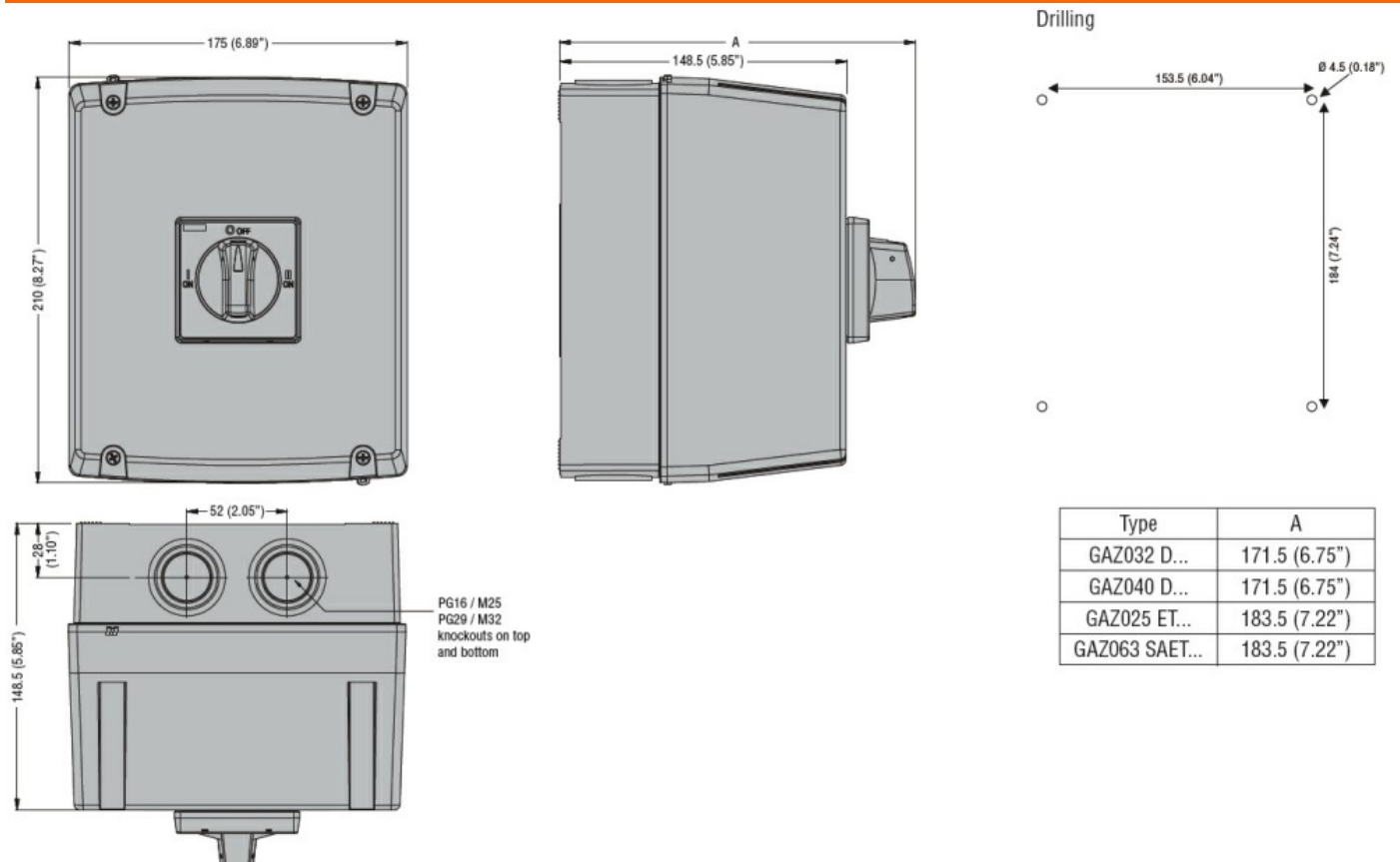
Frontal IP degree

IP65

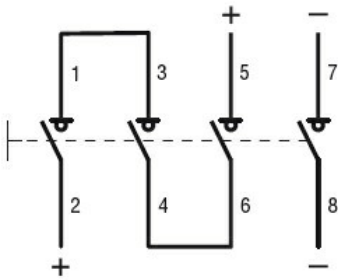
IP degree of protection

IP65

Dimensions



Wiring diagrams



Certifications and compliance

Compliance

IEC/EN 60947-1

IEC/EN 60947-3

Certifications

EAC

ETIM classification

ETIM 8.0

EC000216 -
Switch
disconnecter