



Product designation

Product type designation

Number of poles

Operating voltage type

Enclosed switch
disconnecter
GAZ
Nr. 3
AC

Contact characteristics

IEC Conventional free air thermal current I_{th}

A 40

Rated insulation voltage U_i IEC/EN

V 1000

Rated impulse withstand voltage U_{imp}

kV 8

Operating current I_e

AC21A

400V	A	40
500V	A	40
690V	A	40

AC22A

400V	A	40
500V	A	40
690V	A	40

AC23A

400V	A	40
500V	A	25
690V	A	25

Power dissipation per pole max

W 1

Rated operational power AC23A

400V	kW	18.5
690V	kW	22

Conditional short-circuit current (rms)

kA 10

Short-circuit protection with fuse

Class/A gG40

Making capacity AC23A 400V

A 400

Breaking capacity AC23A 400V

A 320

Mechanical life

cycles 100000

Electrical life AC21A

cycles 100000

Mechanical features

Operating position

normal allowable	Vertical plan Any
---------------------	----------------------

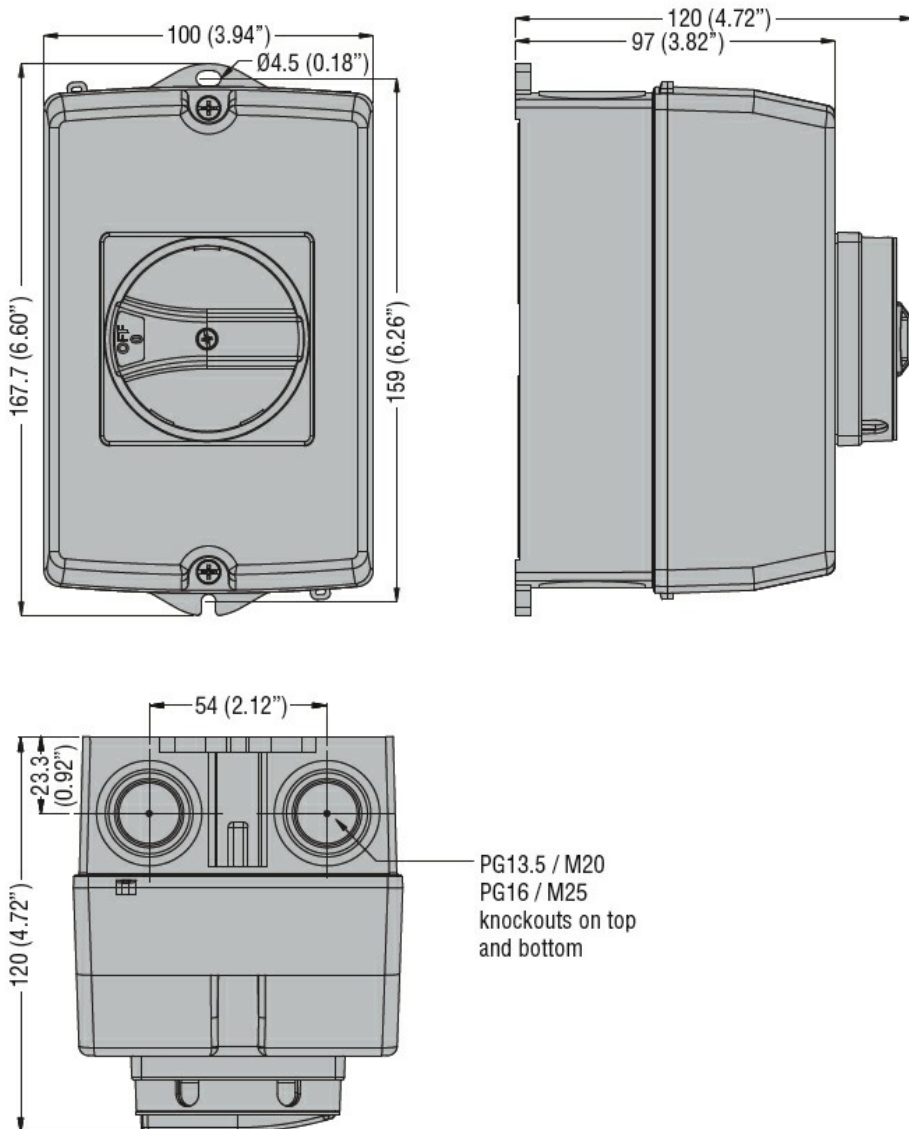
Terminals

type	Pillar
width	mm 5.6
height	mm 6.5
screw	M4
tool	Phillips 2

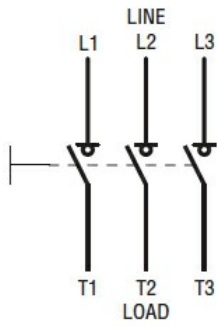
Tightening torque for terminals

min	Nm	1.8
max	Nm	2

	min	lbin	16
	max	lbin	18
Conductor section			
	IEC min	mm ²	0.75
	IEC max	mm ²	16
	AWG/kcmil min		18
	AWG/kcmil max		6
Ambient conditions			
Operating temperature			
	min	°C	-25
	max	°C	+55
Storage temperature			
	min	°C	-40
	max	°C	+70
Max altitude			
		m	3000
Resistance & Protection			
Frontal IP degree			IP65
IP degree of protection			IP65
Pollution degree			3
Dimensions			



Wiring diagrams



Certifications and compliance

Compliance

IEC/EN 60947-1

IEC/EN 60947-3

Certifications

EAC

ETIM classification

ETIM 8.0

EC000216 -
Switch
disconnector