



Product designation				Enclosed switch disconnecter
Product type designation				GAZ...DT...
Number of poles	Nr.			2
Operating voltage type				DC
<b>Contact characteristics</b>				
IEC Conventional free air thermal current I <sub>th</sub>	A			25
Rated insulation voltage U <sub>i</sub> IEC/EN	V			1500
Rated impulse withstand voltage U <sub>imp</sub>	kV			8
Operating current I <sub>e</sub>				
DC21A		600V	A	25
		800V	A	25
		1000V	A	16
DC21B		600V	A	25
		800V	A	25
		1000V	A	16
DCPV1				
		Operating current I <sub>e</sub> 600V	A	25
		Operating current I <sub>e</sub> 800V	A	25
DCPV1		600V	A	25
		800V	A	25
Power dissipation per pole max		W	0.8	
Rated short time current (1s) I <sub>cs</sub> (rms)		kA	0.5	
Mechanical life		cycles	10000	
<b>Mechanical features</b>				
Operating position		normal allowable	Vertical plan Any	
Terminals		type	Screw with washer	
		width	mm	5.6
		height	mm	6.5
		screw tool	M4 Phillips 1	
Tightening torque for terminals		min	Nm	1.2
		max	Nm	1.6
		min	lbin	10
		max	lbin	14
Conductor section		IEC min	mm <sup>2</sup>	1
		IEC max	mm <sup>2</sup>	10

AWG/kcmil min	18
AWG/kcmil max	8

**Ambient conditions**

Operating temperature

min	°C	-25
max	°C	+55

Storage temperature

min	°C	-40
max	°C	+70

Max altitude

m	3000
---	------

**Resistance & Protection**

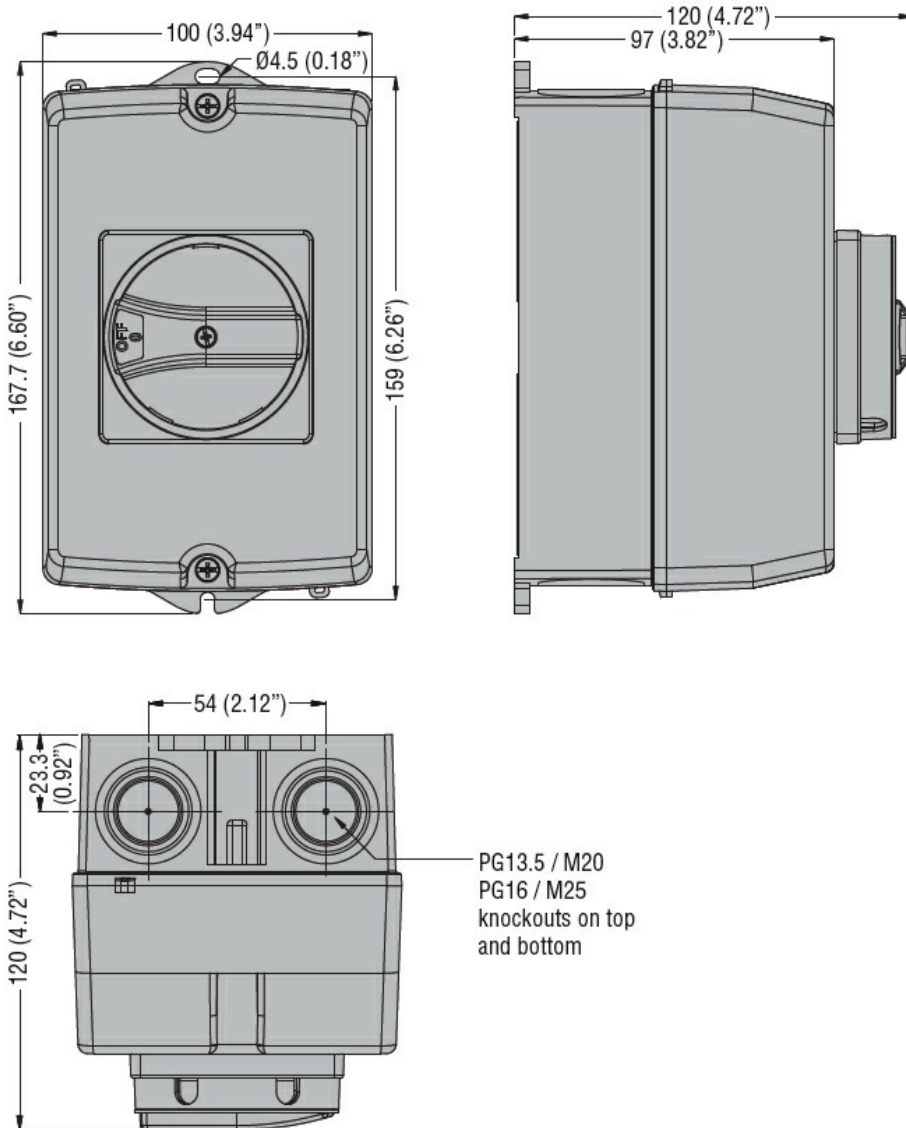
Frontal IP degree

IP65

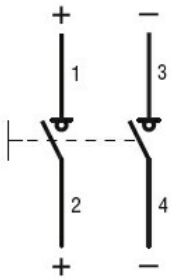
IP degree of protection

IP65

**Dimensions**



**Wiring diagrams**



**Certifications and compliance**

Compliance

IEC/EN 60947-1

IEC/EN 60947-3

Certifications

EAC

**ETIM classification**

ETIM 8.0

EC000216 -  
Switch  
disconnecter