



| | | | | |
|---|---------------------------------------|------------------|-----------------|------------------------------|
| Product designation | | | | Enclosed switch disconnecter |
| Product type designation | | | | GAZ...DT... |
| Number of poles | | Nr. | | 2 |
| Operating voltage type | | | | DC |
| Contact characteristics | | | | |
| IEC Conventional free air thermal current I _{th} | | A | | 25 |
| Rated insulation voltage U _i IEC/EN | | V | | 1500 |
| Rated impulse withstand voltage U _{imp} | | kV | | 8 |
| Operating current I _e | | | | |
| DC21A | | | | |
| | 600V | A | | 25 |
| | 800V | A | | 25 |
| | 1000V | A | | 16 |
| DC21B | | | | |
| | 600V | A | | 25 |
| | 800V | A | | 25 |
| | 1000V | A | | 16 |
| DCPV1 | | | | |
| | Operating current I _e 600V | A | | 25 |
| | Operating current I _e 800V | A | | 25 |
| DCPV1 | | | | |
| | 600V | A | | 25 |
| | 800V | A | | 25 |
| Power dissipation per pole max | | W | | 0.8 |
| Rated short time current (1s) I _{cw} (rms) | | kA | | 0.5 |
| Mechanical life | | cycles | | 10000 |
| Mechanical features | | | | |
| Operating position | | normal allowable | | Vertical plan Any |
| Terminals | | type | | Screw with washer |
| | width | mm | | 5.6 |
| | height | mm | | 6.5 |
| | screw tool | | | M4 Phillips 1 |
| Tightening torque for terminals | | min | Nm | 1.2 |
| | | max | Nm | 1.6 |
| | | min | lbin | 10 |
| | | max | lbin | 14 |
| Conductor section | | IEC min | mm ² | 1 |
| | | IEC max | mm ² | 10 |

| | |
|---------------|----|
| AWG/kcmil min | 18 |
| AWG/kcmil max | 8 |

Ambient conditions

Operating temperature

| | | |
|-----|----|-----|
| min | °C | -25 |
| max | °C | +55 |

Storage temperature

| | | |
|-----|----|-----|
| min | °C | -40 |
| max | °C | +70 |

Max altitude

| | |
|---|------|
| m | 3000 |
|---|------|

Resistance & Protection

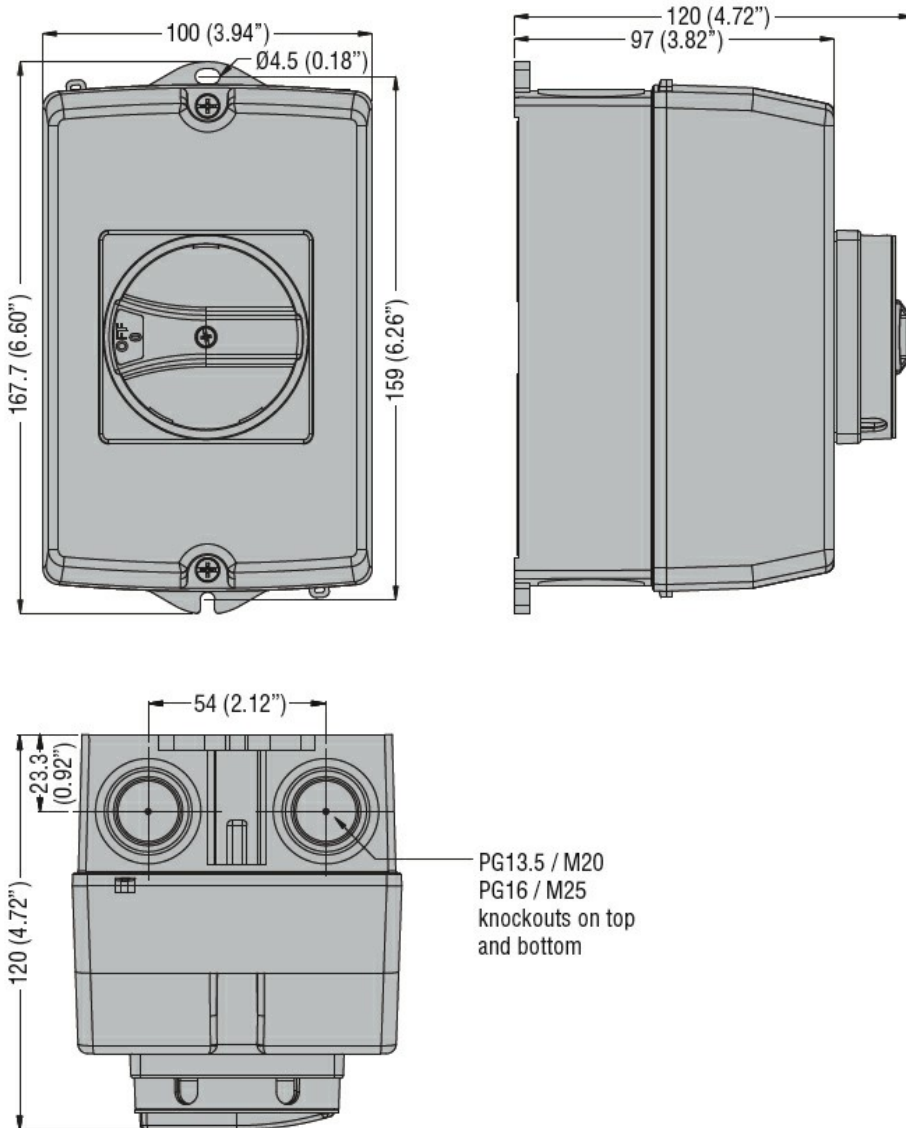
Frontal IP degree

IP65

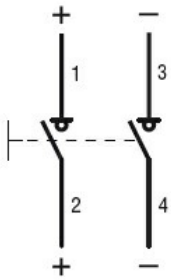
IP degree of protection

IP65

Dimensions



Wiring diagrams



Certifications and compliance

Compliance

IEC/EN 60947-1

IEC/EN 60947-3

Certifications

EAC

ETIM classification

ETIM 8.0

EC000216 -
Switch
disconnector