



Product designation				Enclosed switch disconnecter
Product type designation				GAZ
Number of poles		Nr.	3	
Operating voltage type			AC	
<b>Contact characteristics</b>				
IEC Conventional free air thermal current I <sub>th</sub>		A	25	
Rated insulation voltage U <sub>i</sub> IEC/EN		V	1000	
Rated impulse withstand voltage U <sub>imp</sub>		kV	8	
Operating current I <sub>e</sub>				
	AC21A			
		400V	A	25
		500V	A	25
		690V	A	25
	AC22A			
		400V	A	25
		500V	A	25
		690V	A	25
	AC23A			
		400V	A	25
		500V	A	25
		690V	A	25
Power dissipation per pole max			W	0.4
Rated operational power AC23A				
		400V	kW	11
		690V	kW	22
Conditional short-circuit current (rms)			kA	10
Short-circuit protection with fuse			Class/A	gG25
Making capacity AC23A 400V			A	250
Breaking capacity AC23A 400V			A	200
Mechanical life			cycles	100000
Electrical life AC21A			cycles	100000
<b>Mechanical features</b>				
Operating position		normal allowable	Vertical plan Any	
Terminals		type	Pillar	
		width	mm	5.6
		height	mm	6.5
		screw	M4	
		tool	Phillips 2	
Tightening torque for terminals				
		min	Nm	1.8
		max	Nm	2

	min	lbin	16
	max	lbin	18

Conductor section

IEC min	mm <sup>2</sup>	0.75
IEC max	mm <sup>2</sup>	16
AWG/kcmil min		18
AWG/kcmil max		6

Ambient conditions

Operating temperature

min	°C	-25
max	°C	+55

Storage temperature

min	°C	-40
max	°C	+70

Max altitude

m	3000
---	------

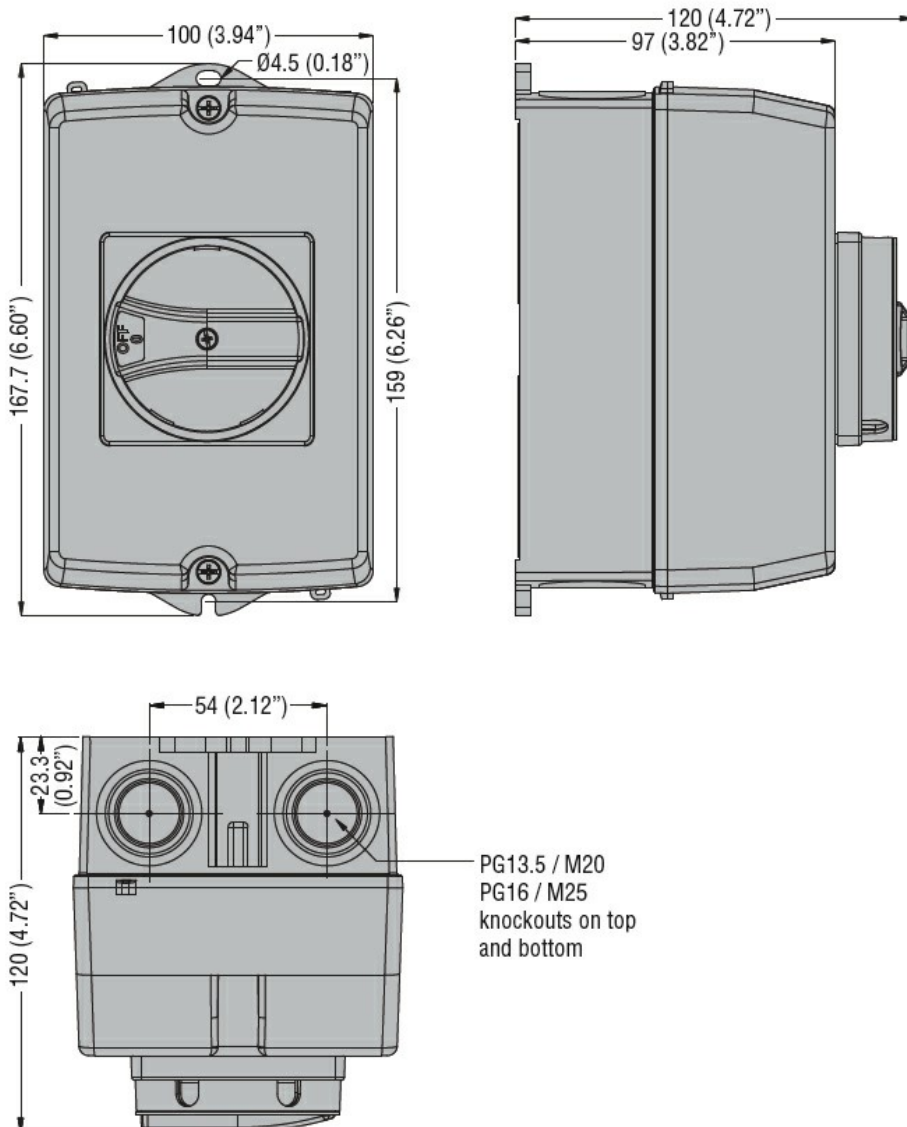
Resistance & Protection

Frontal IP degree	IP65
-------------------	------

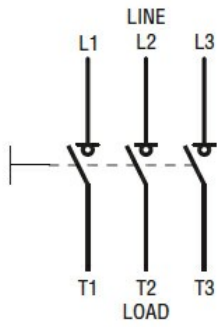
IP degree of protection	IP65
-------------------------	------

Pollution degree	3
------------------	---

Dimensions



### Wiring diagrams



### Certifications and compliance

#### Compliance

IEC/EN 60947-1

IEC/EN 60947-3

#### Certifications

EAC

### ETIM classification

ETIM 8.0

EC000216 -  
Switch  
disconnecter