



Product designation				Enclosed switch disconnecter
Product type designation				GAZ
Number of poles		Nr.		4
Operating voltage type				AC
<b>Contact characteristics</b>				
IEC Conventional free air thermal current I <sub>th</sub>		A		16
Rated insulation voltage U <sub>i</sub> IEC/EN		V		1000
Rated impulse withstand voltage U <sub>imp</sub>		kV		8
Operating current I <sub>e</sub>				
AC21A	400V	A		16
	500V	A		16
	690V	A		16
AC22A	400V	A		16
	500V	A		16
	690V	A		16
AC23A	400V	A		16
	500V	A		16
	690V	A		16
Power dissipation per pole max		W		0.2
Rated operational power AC23A	400V	kW		7.5
	690V	kW		11
Conditional short-circuit current (rms)		kA		10
Short-circuit protection with fuse		Class/A		gG16
Making capacity AC23A 400V		A		160
Breaking capacity AC23A 400V		A		128
Mechanical life		cycles		100000
Electrical life AC21A		cycles		100000
<b>Mechanical features</b>				
Operating position		normal allowable		Vertical plan Any
Terminals		type		Pillar
		width	mm	5.6
		height	mm	6.5
		screw		M4
		tool		Phillips 2
Tightening torque for terminals		min	Nm	1.8
		max	Nm	2

	min	lbin	16
	max	lbin	18

Conductor section

IEC min	mm <sup>2</sup>	0.75
IEC max	mm <sup>2</sup>	16
AWG/kcmil min		18
AWG/kcmil max		6

Ambient conditions

Operating temperature

min	°C	-25
max	°C	+55

Storage temperature

min	°C	-40
max	°C	+70

Max altitude

m	3000
---	------

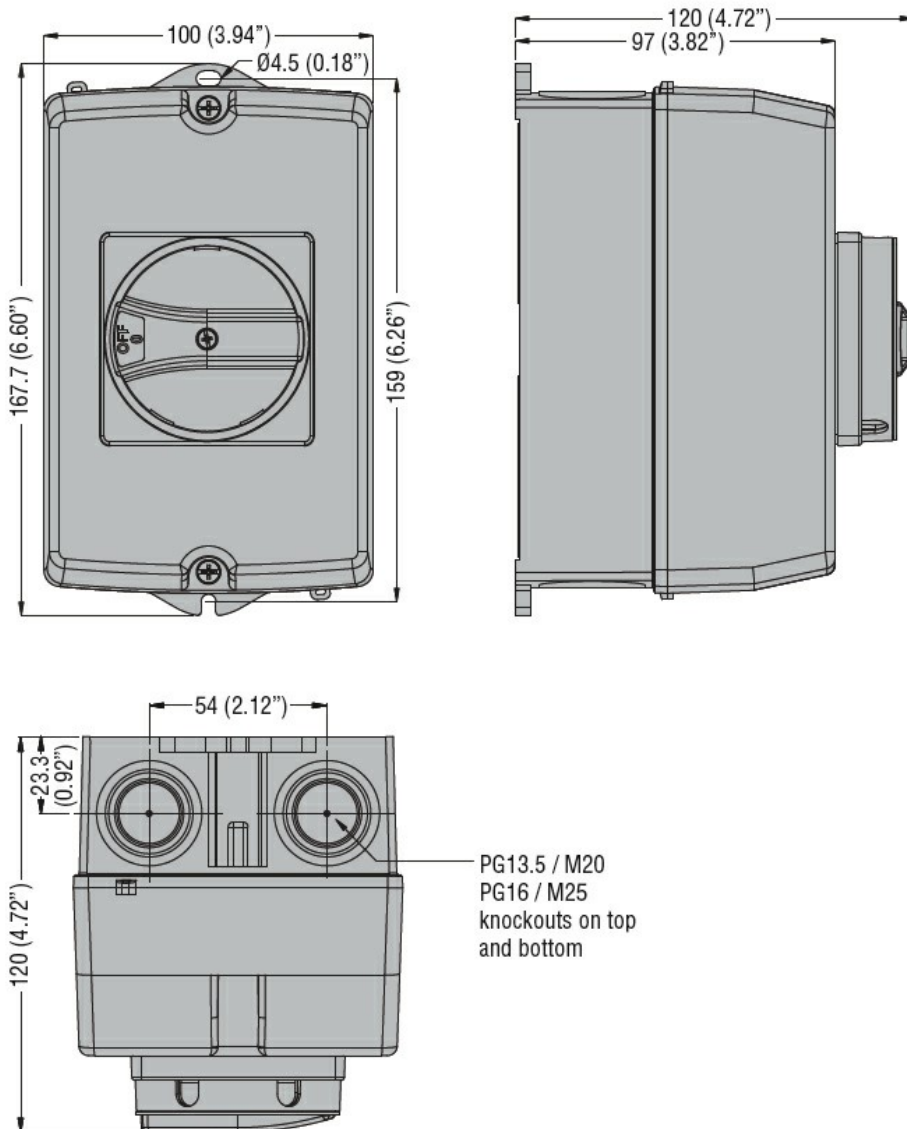
Resistance & Protection

Frontal IP degree	IP65
-------------------	------

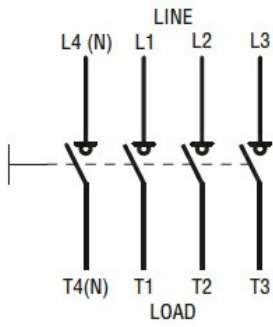
IP degree of protection	IP65
-------------------------	------

Pollution degree	3
------------------	---

Dimensions



Wiring diagrams



Certifications and compliance

Compliance

IEC/EN 60947-1  
IEC/EN 60947-3

Certifications

EAC

ETIM classification

ETIM 8.0

EC000216 -  
Switch  
disconnecter