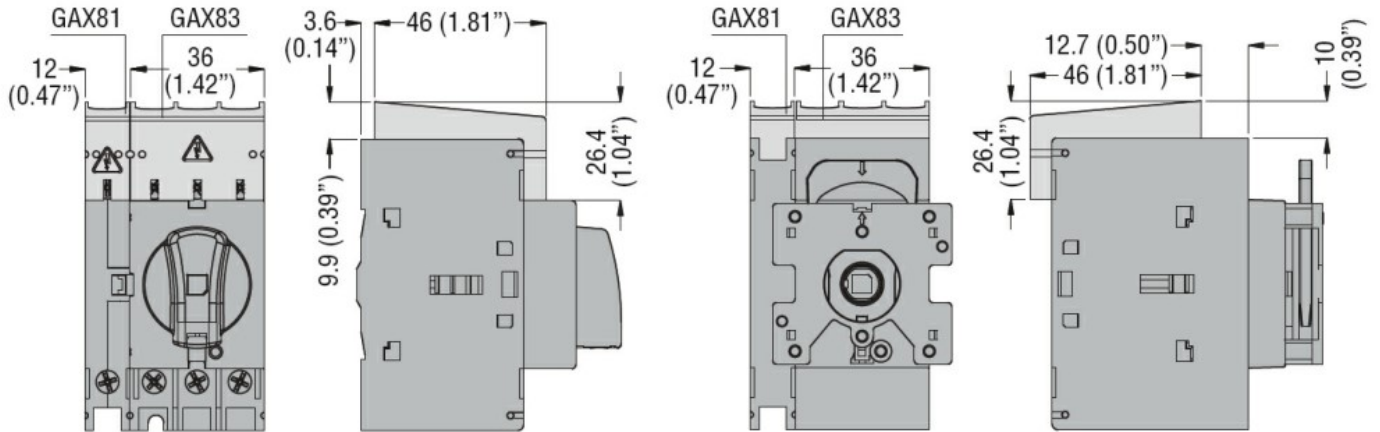




Dimensions



Certifications and compliance

Compliance

CSA C22.2

IEC/EN 60947-1

IEC/EN 60947-3

UL508

UL98

Certifications

cULus according to UL508 /CSA C22.2 n°14

EAC

ETIM classification

ETIM 8.0

EC002498 -
Accessories/spare
parts for low-
voltage switch
technology