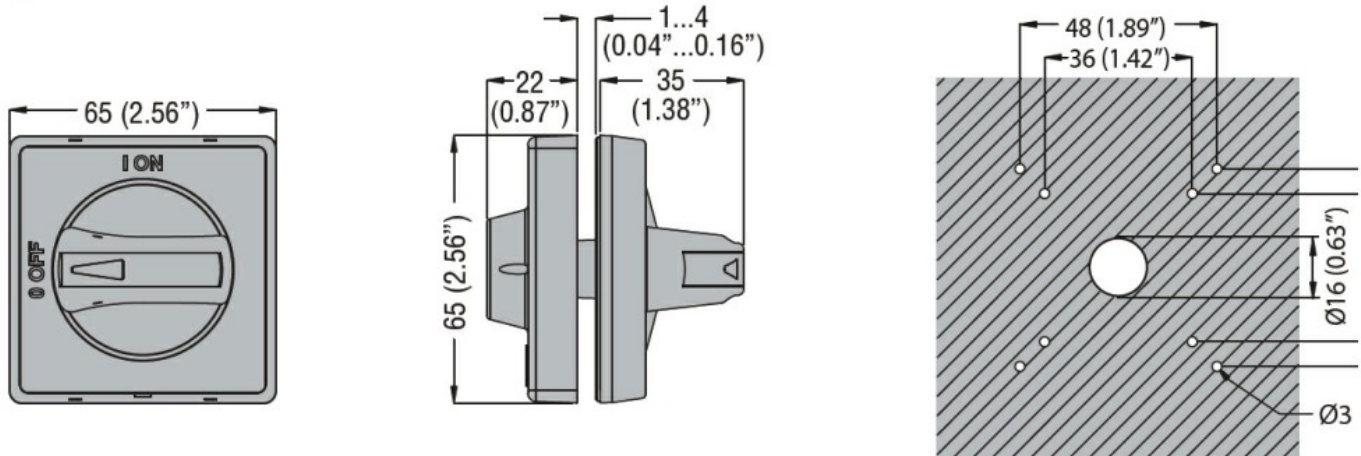




### Dimensions



### Certifications and compliance

#### Compliance

CSA C22.2

IEC/EN 60947-1

IEC/EN 60947-3

UL508

UL98

#### Certifications

cULus according to UL508 /CSA C22.2 n°14

cULus according to UL98 / CSA C22.2 n°4

EAC

### ETIM classification

ETIM 8.0

EC000230 -  
Door coupling  
handle for  
switchgear