



Handles for
switch
disconnecter
GAX6

Product designation

Product type designation

Mechanical features

Weight g 73

UL technical data

UL Standard UL60947-4-1

Ambient conditions

Operating temperature

| | | | |
|--|-----|----|-----|
| | min | °C | -25 |
| | max | °C | +55 |

Storage temperature

| | | | |
|--|-----|----|-----|
| | min | °C | -40 |
| | max | °C | +70 |

Max altitude

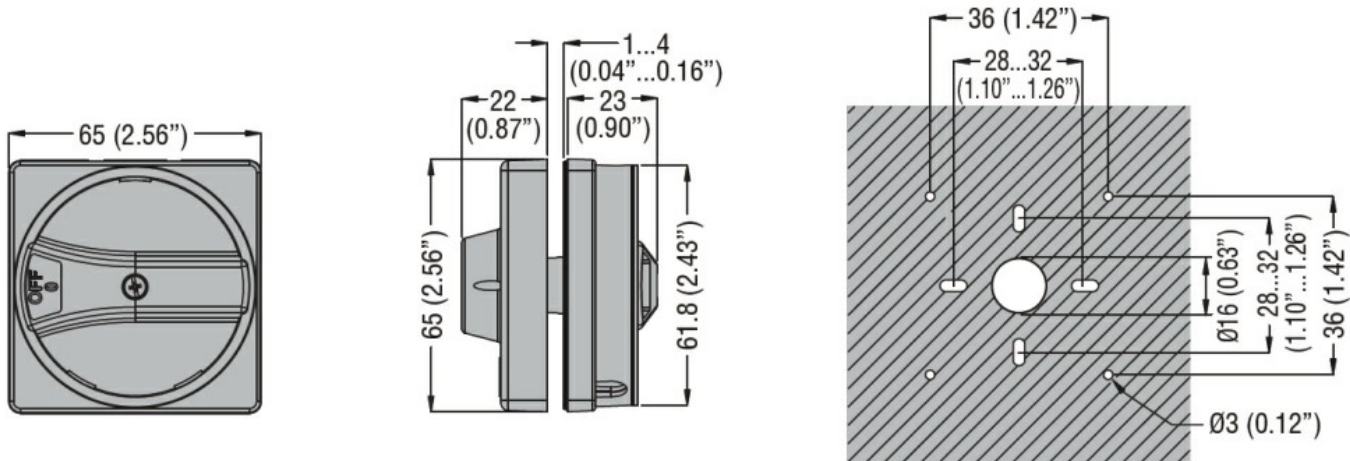
m 3000

Resistance & Protection

Frontal IP degree IP65

Pollution degree 3

Dimensions



Certifications and compliance

Compliance

CSA C22.2

IEC/EN 60947-1

IEC/EN 60947-3

UL508

UL98

Certifications

cULus according to UL508 /CSA C22.2 n°14

cULus according to UL98 / CSA C22.2 n°4

EAC

ETIM classification

ETIM 8.0

EC000230 -
Door coupling
handle for
switchgear