

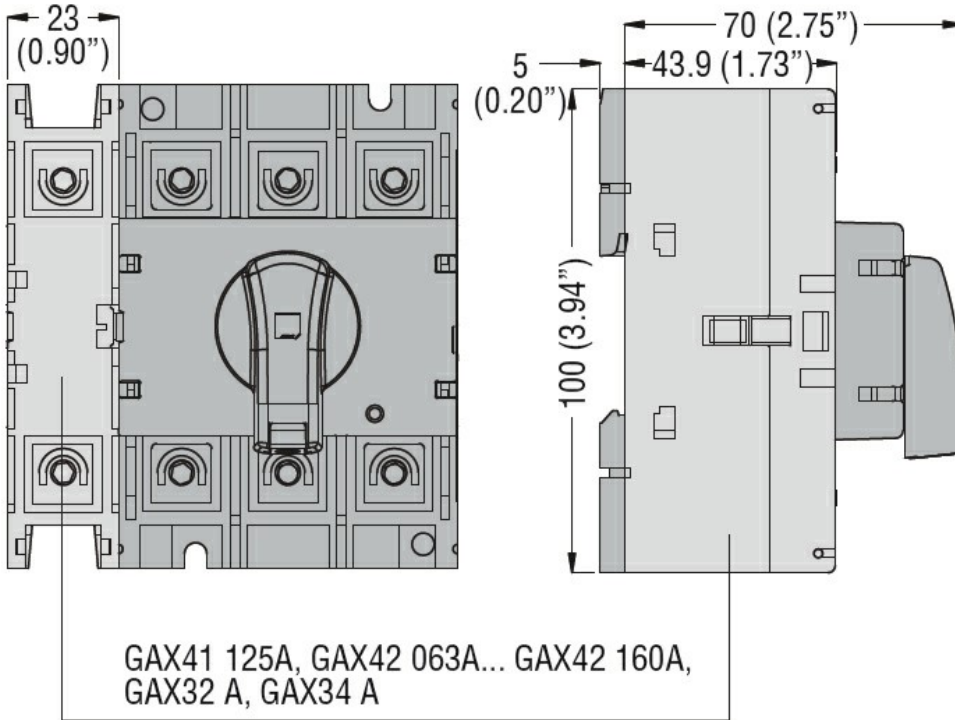


Product designation				Fourth pole add-on
Product type designation				GAX42
Number of poles		Nr.		1
Operating voltage type				AC
<b>Contact characteristics</b>				
IEC Conventional free air thermal current I <sub>th</sub>		A		160
Rated insulation voltage U <sub>i</sub> IEC/EN		V		1000
Rated impulse withstand voltage U <sub>imp</sub>		kV		8
Operating current I <sub>e</sub>				
	AC21A			
		400V	A	160
		500V	A	160
		690V	A	160
	AC22A			
		400V	A	160
		500V	A	125
		690V	A	125
	AC23A			
		400V	A	125
		500V	A	100
		690V	A	47
Making capacity AC23A 400V				A 1250
Breaking capacity AC23A 400V				A 1000
Mechanical life				cycles 30000
Electrical life AC21A				cycles 1500 (AC23A 400V)
<b>Mechanical features</b>				
Terminals		type		Pillar
		width	mm	12.4
		height	mm	10.4
		screw		M8
		tool		Metric Allen key 4
Tightening torque for terminals				
		min	Nm	5
		max	Nm	6
		min	lbin	45
		max	lbin	54
Conductor section				
		IEC min	mm <sup>2</sup>	4
		IEC max	mm <sup>2</sup>	70
		AWG/kcmil min		12
		AWG/kcmil max		1

**Ambient conditions**

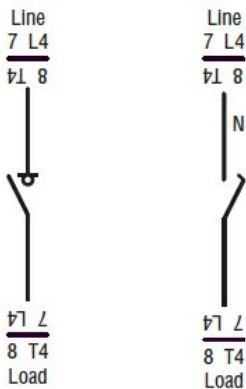
Operating temperature

	min	°C	-25
	max	°C	+55
Storage temperature			
	min	°C	-40
	max	°C	+70
Max altitude		m	3000
<b>Resistance &amp; Protection</b>			
Pollution degree			3
<b>Dimensions</b>			



**Wiring diagrams**

Fourth pole add on  
**GAX42...**      **GAX41...**



**Certifications and compliance**

Compliance

- CSA C22.2
- IEC/EN 60947-1
- IEC/EN 60947-3
- UL508

---

UL98

---

Certifications

CCC

EAC

---

ETIM classification

ETIM 8.0

EC002498 -  
Accessories/spare  
parts for low-  
voltage switch  
technology