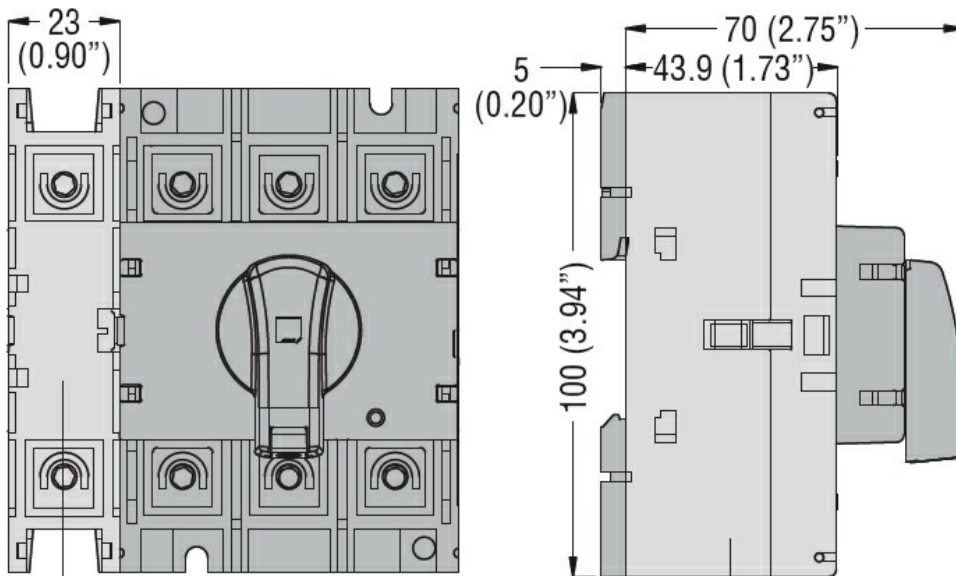




Number of poles	Nr.	1
Operating voltage type		AC
<b>Contact characteristics</b>		
IEC Conventional free air thermal current I <sub>th</sub>	A	125
<b>Mechanical features</b>		
Tightening torque for terminals	min	Nm 5
	max	Nm 6
	min	lbin 45
	max	lbin 54

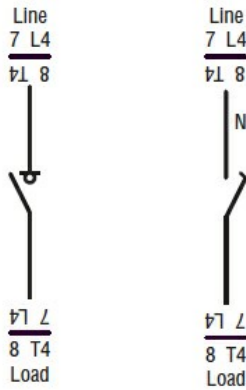
**Dimensions**



GAX41 125A, GAX42 063A... GAX42 160A,  
GAX32 A, GAX34 A

**Wiring diagrams**

Fourth pole add on  
**GAX42...**      **GAX41...**



**Certifications and compliance**

Compliance

- CSA C22.2
- IEC/EN 60947-1
- IEC/EN 60947-3
- UL508
- UL98

Certifications

- CCC
- CSA C22.2 n°4
- cULus according to UL98
- EAC

**ETIM classification**

ETIM 8.0

EC002498 -  
Accessories/spare  
parts for low-  
voltage switch  
technology