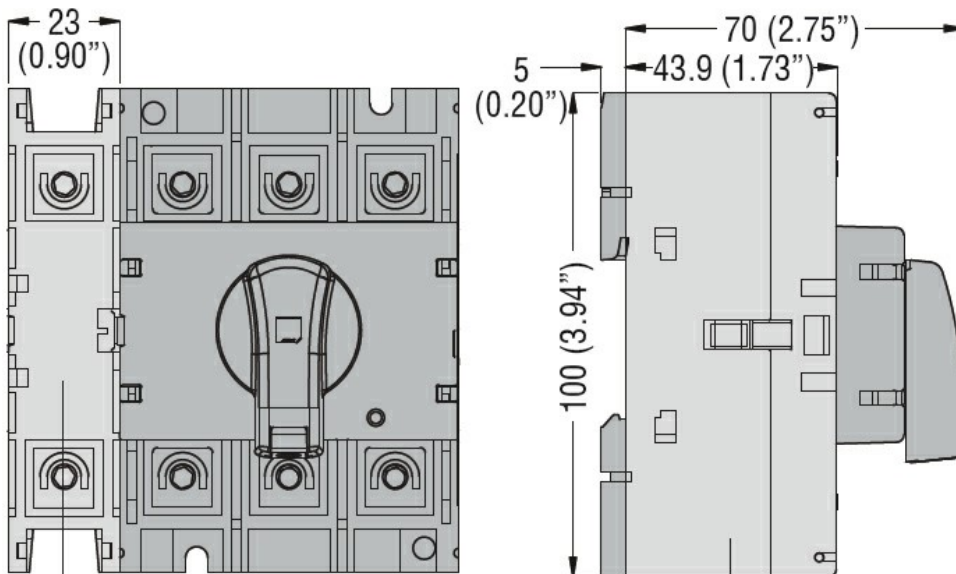




Number of poles	Nr.	1
Operating voltage type		AC
<b>Contact characteristics</b>		
IEC Conventional free air thermal current I <sub>th</sub>	A	80
<b>Mechanical features</b>		
Tightening torque for terminals	min	Nm 5
	max	Nm 6
	min	lbin 45
	max	lbin 54

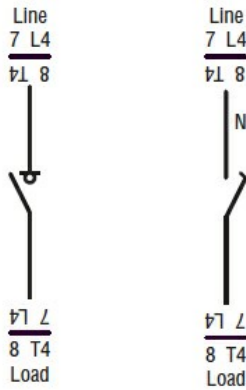
**Dimensions**



GAX41 125A, GAX42 063A... GAX42 160A,  
GAX32 A, GAX34 A

**Wiring diagrams**

Fourth pole add on  
**GAX42...**      **GAX41...**



### Certifications and compliance

#### Compliance

CSA C22.2

IEC/EN 60947-1

IEC/EN 60947-3

UL508

UL98

#### Certifications

CCC

CSA C22.2 n°4

cULus according to UL98

EAC

### ETIM classification

ETIM 8.0

EC002498 -  
Accessories/spare  
parts for low-  
voltage switch  
technology