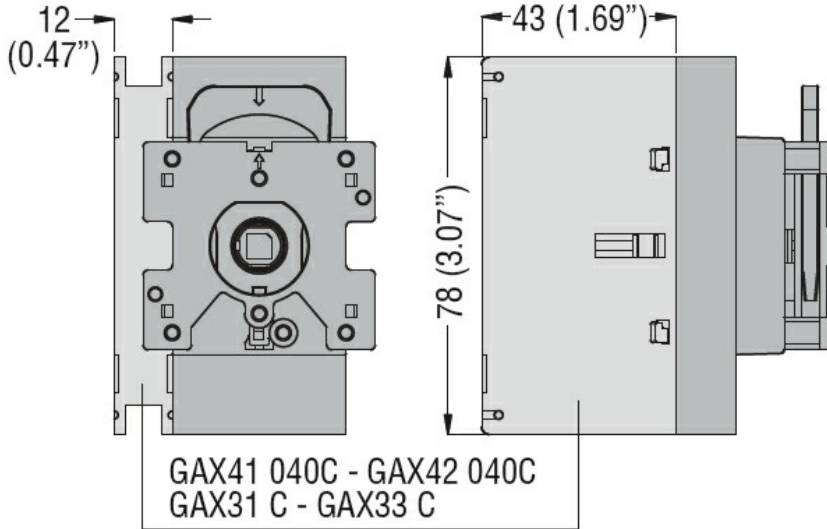




Product designation				Fourth pole add-on
Product type designation				GAX42
Number of poles		Nr.		1
Operating voltage type				AC
Contact characteristics				
IEC Conventional free air thermal current I _{th}		A		63
Rated insulation voltage U _i IEC/EN		V		1000
Rated impulse withstand voltage U _{imp}		kV		8
Operating current I _e				
AC21A				
	400V	A		63
	500V	A		63
	690V	A		63
AC22A				
	400V	A		63
	500V	A		45
	690V	A		45
AC23A				
	400V	A		45
	500V	A		25
	690V	A		25
Making capacity AC23A 400V		A		450
Breaking capacity AC23A 400V		A		360
Mechanical life		cycles		100000
Electrical life AC21A		cycles		15000
Mechanical features				
Terminals				
	type			Pillar
	width	mm		5.6
	height	mm		6.5
	screw			M4
	tool			Phillips 2
Tightening torque for terminals				
	min	Nm		1.8
	max	Nm		2
	min	lbin		16
	max	lbin		18
Conductor section				
	IEC min	mm ²		0.75
	IEC max	mm ²		16
	AWG/kcmil min			18
	AWG/kcmil max			6
Ambient conditions				
Operating temperature				
	min	°C		-25

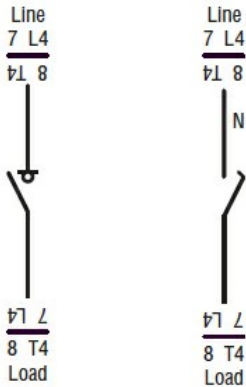
Storage temperature	max	°C	+55
	min	°C	-40
Max altitude	max	°C	+70
		m	3000

Dimensions



Wiring diagrams

Fourth pole add on
GAX42... **GAX41...**



Certifications and compliance

Compliance

IEC/EN 60947-1
IEC/EN 60947-3

ETIM classification

ETIM 8.0

EC002498 -
Accessories/spare
parts for low-
voltage switch
technology