



Product designation				Fourth pole add-on
Product type designation				GAX42
Number of poles		Nr.		1
Operating voltage type				AC
Contact characteristics				
IEC Conventional free air thermal current I _{th}		A		40
Rated insulation voltage U _i IEC/EN		V		1000
Rated impulse withstand voltage U _{imp}		kV		8
Operating current I _e				
	AC21A			
		400V	A	40
		500V	A	40
		690V	A	40
	AC22A			
		400V	A	40
		500V	A	40
		690V	A	40
	AC23A			
		400V	A	40
		500V	A	25
		690V	A	25
Making capacity AC23A 400V				A 400
Breaking capacity AC23A 400V				A 320
Mechanical life				cycles 100000
Electrical life AC21A				cycles 100000
Mechanical features				
Terminals		type		Pillar
		width	mm	5.6
		height	mm	6.5
		screw		M4
		tool		Phillips 2
Tightening torque for terminals				
		min	Nm	1.8
		max	Nm	2
		min	lbin	16
		max	lbin	18
Conductor section				
		IEC min	mm ²	0.75
		IEC max	mm ²	16
		AWG/kcmil min		18
		AWG/kcmil max		6
Weight				g 45
UL technical data				
UL Standard				UL60947-4-1

General purpose current rating	A	16
Operating voltage max	V	600
Short circuit rating	kA rms	5
Short circuit rating with fuse	Class/A	RK5/30

Ambient conditions

Operating temperature	min	°C	-25
	max	°C	+55

Storage temperature	min	°C	-40
	max	°C	+70

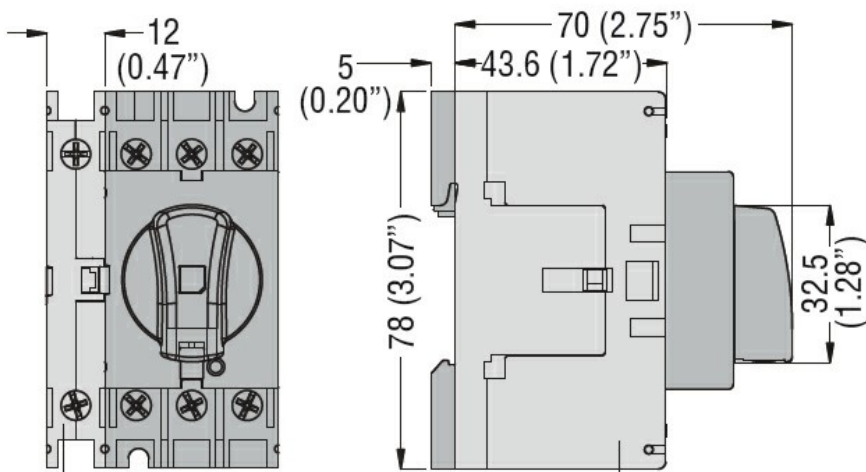
Max altitude	m	3000
--------------	---	------

Resistance & Protection

Frontal IP degree	IP20
-------------------	------

Pollution degree	3
------------------	---

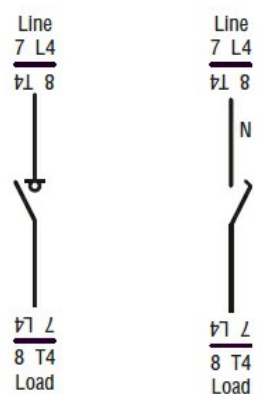
Dimensions



GAX41 040A, GAX42 040A...
GAX41 063SA, GAX42 063SA,
GAX42 040D, GAX31 A, GAX33 A

Wiring diagrams

Fourth pole add on
GAX42... **GAX41...**



Certifications and compliance

Compliance

CSA C22.2

IEC/EN 60947-1

IEC/EN 60947-3

UL508

UL98

Certifications

CCC

CSA C22.2 n°14

cULus according to UL508

EAC

ETIM classification

ETIM 8.0

EC002498 -
Accessories/spare
parts for low-
voltage switch
technology