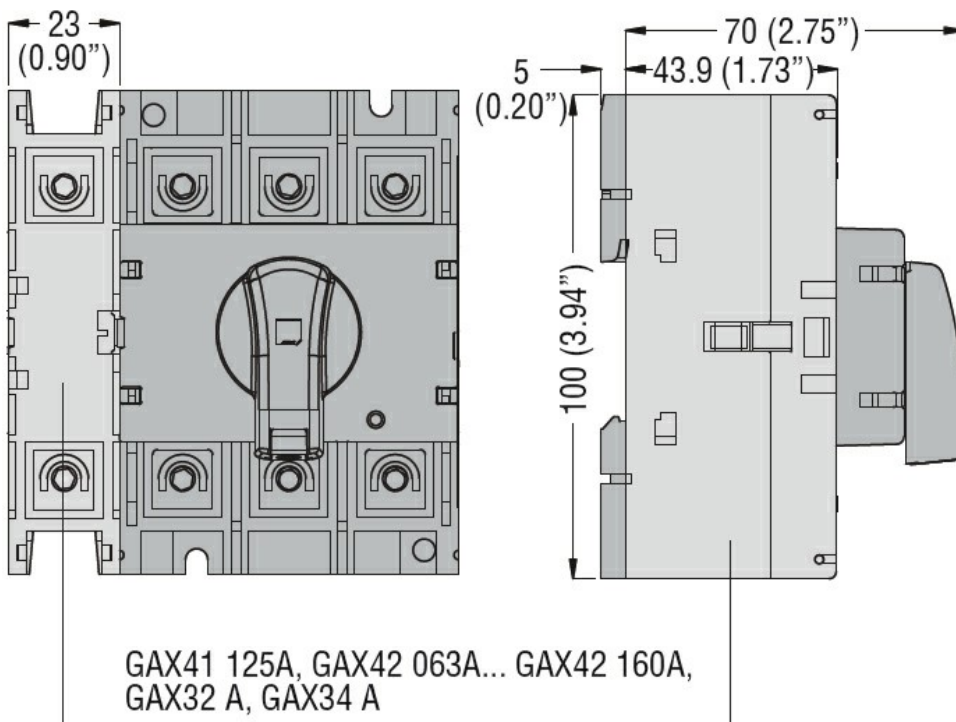




Number of poles	Nr.	1
Operating voltage type		AC
Contact characteristics		
IEC Conventional free air thermal current Ith	A	160
Dimensions		



Wiring diagrams

Earth terminal
GAX33... - GAX34...



Certifications and compliance

Compliance

- CSA C22.2
- IEC/EN 60947-1
- IEC/EN 60947-3
- IEC/EN 60947-5-1

UL508

UL98

Certifications

CSA C22.2 n°4

cULus according to UL98

EAC

ETIM classification

ETIM 8.0

EC002498 -
Accessories/spare
parts for low-
voltage switch
technology