

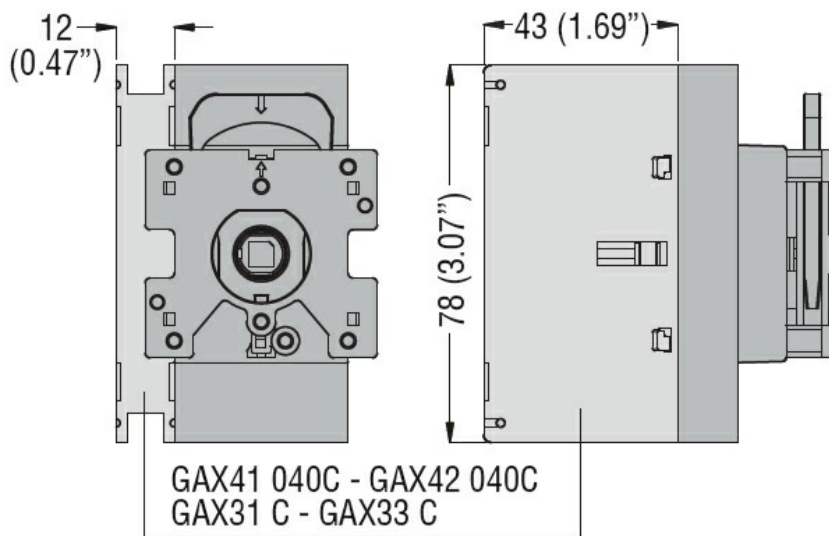


Number of poles	Nr.	1
Operating voltage type		AC

Contact characteristics

IEC Conventional free air thermal current I _{th}	A	63
---	---	----

Dimensions



Wiring diagrams

Earth terminal
GAX33... - GAX34...

PE ±



PE ±

Certifications and compliance

Compliance

CSA C22.2
IEC/EN 60947-1
IEC/EN 60947-3
IEC/EN 60947-5-1
UL508
UL98

Certifications

CSA C22.2 n°14
cULus according to UL508

EAC

ETIM classification

ETIM 8.0

EC002498 -
Accessories/spare
parts for low-
voltage switch
technology