



Number of poles
Operating voltage type

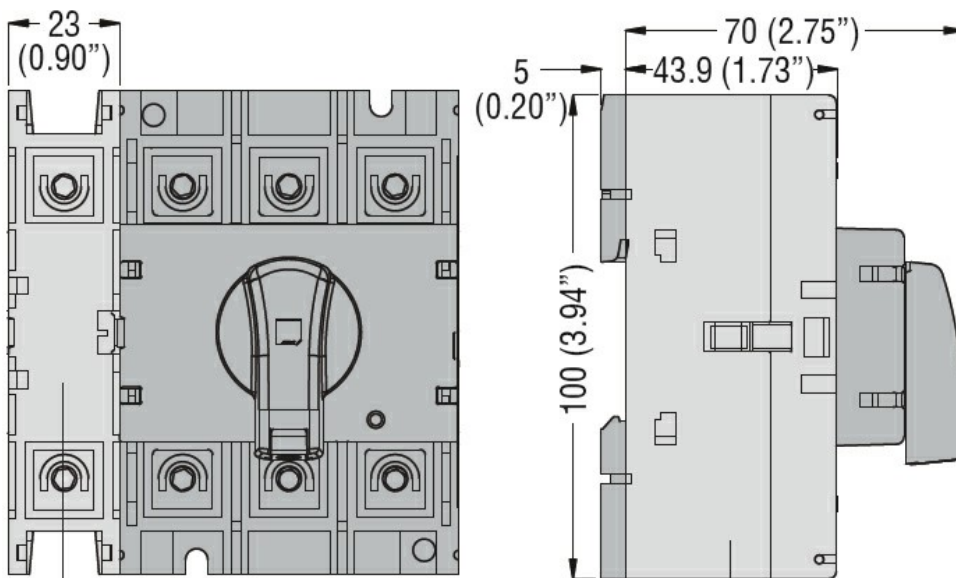
Nr. 1
AC

Contact characteristics

IEC Conventional free air thermal current Ith

A 160

Dimensions



GAX41 125A, GAX42 063A... GAX42 160A,
GAX32 A, GAX34 A

Wiring diagrams

Neutral terminal
GAX31... - GAX32...



Certifications and compliance

Compliance

- CSA C22.2
- IEC/EN 60947-1
- IEC/EN 60947-3
- IEC/EN 60947-5-1

UL508

UL98

Certifications

CSA C22.2 n°4

cULus according to UL98

EAC

ETIM classification

ETIM 8.0

EC002498 -
Accessories/spare
parts for low-
voltage switch
technology