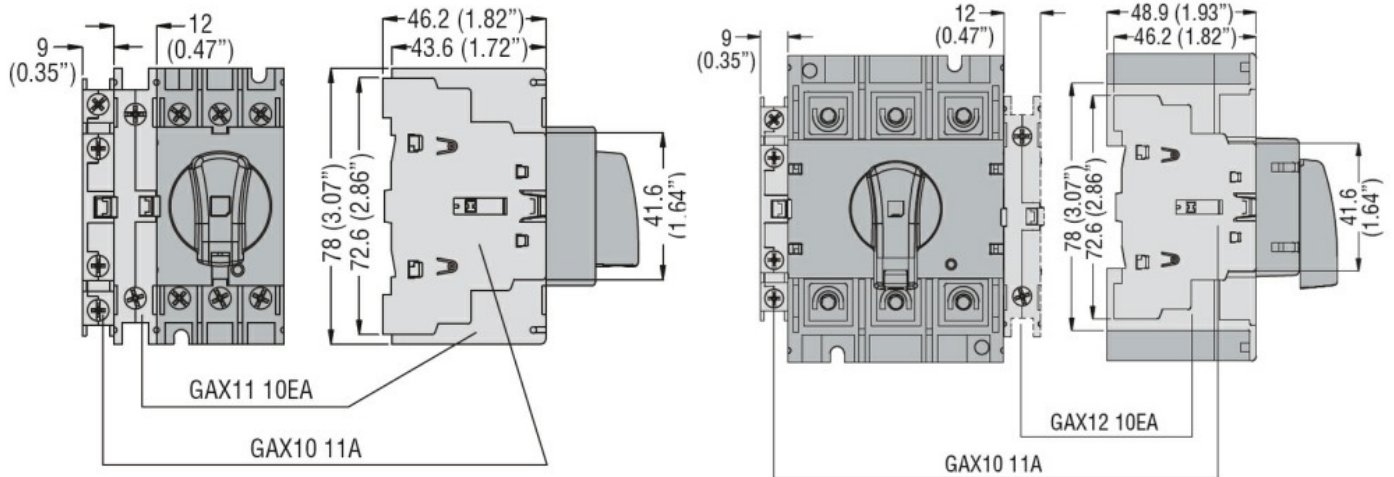




### Dimensions



### Wiring diagrams

#### GAX11... - GAX12...



### Certifications and compliance

#### Compliance

CSA C22.2  
IEC/EN 60947-1  
IEC/EN 60947-3  
IEC/EN 60947-5-1  
UL508  
UL98

#### Certifications

CCC  
CSA C22.2 n°14  
cULus according to UL508  
EAC

### ETIM classification

ETIM 8.0

EC000041 -  
Auxiliary contact  
block