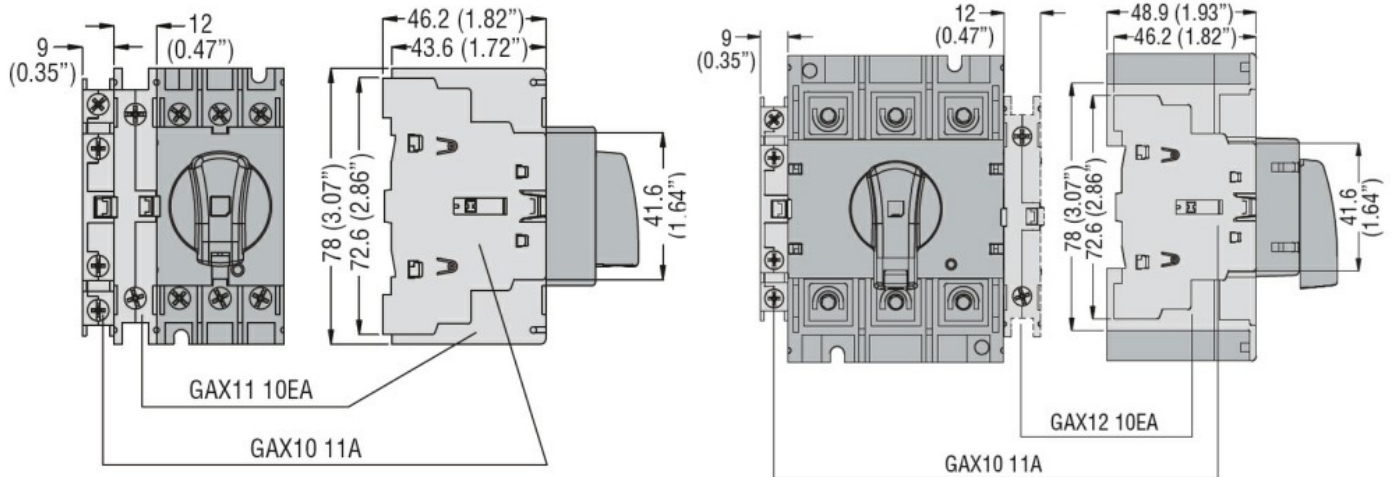


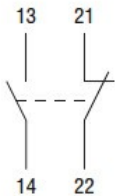


**Dimensions**



**Wiring diagrams**

Auxiliary contacts  
**GAX10...**



**Certifications and compliance**

Compliance

CSA C22.2

IEC/EN 60947-1

IEC/EN 60947-3

IEC/EN 60947-5-1

UL508

UL98

Certifications

CCC

CSA C22.2 n°14

cULus according to UL508

EAC

**ETIM classification**

ETIM 8.0

EC000041 -  
Auxiliary contact  
block