



Product designation				Changeover Switch
Product type designation				GA
Number of poles		Nr.	4	
Operating voltage type				AC
<b>Contact characteristics</b>				
IEC Conventional free air thermal current I <sub>th</sub>		A	160	
Rated insulation voltage U <sub>i</sub> IEC/EN		V	1000	
Rated impulse withstand voltage U <sub>imp</sub>		kV	8	
Operating current I <sub>e</sub>				
AC21A	400V	A	160	
	500V	A	160	
	690V	A	160	
AC22A	400V	A	160	
	500V	A	125	
	690V	A	125	
AC23A	400V	A	125	
	500V	A	100	
	690V	A	47	
Power dissipation per pole max		W	12	
Rated operational power AC23A	400V	kW	55	
	690V	kW	45	
Rated short time current (1s) I <sub>cs</sub> (rms)		kA	2.5	
Conditional short-circuit current (rms)		kA	50	
Short-circuit protection with fuse		Class/A	gG160	
Making capacity AC23A 400V		A	1250	
Breaking capacity AC23A 400V		A	1000	
Mechanical life		cycles	30000	
Electrical life AC21A		cycles	1500 (AC23A 400V)	
<b>Mechanical features</b>				
Operating position	normal allowable		Vertical plan Any	
Fixing			Screw / DIN rail 35mm	
Terminals	type		Pillar	
	width	mm	12.4	
	height	mm	10.4	
	screw		M8	
	tool		Metric Allen key 4	

Tightening torque for terminals

min	Nm	5
max	Nm	6
min	lbin	45
max	lbin	54

Conductor section

IEC min	mm <sup>2</sup>	4
IEC max	mm <sup>2</sup>	70
AWG/kcmil min		12
AWG/kcmil max		1

Weight

g 1133

UL technical data

UL Standard

UL98

Minimum enclosure dimensions at rated current

mm	mm	150x140x110
in	in	5.9 x 5.5 x 4.3

Ambient conditions

Operating temperature

min	°C	-25
max	°C	+55

Storage temperature

min	°C	-40
max	°C	+70

Max altitude

m 3000

Resistance & Protection

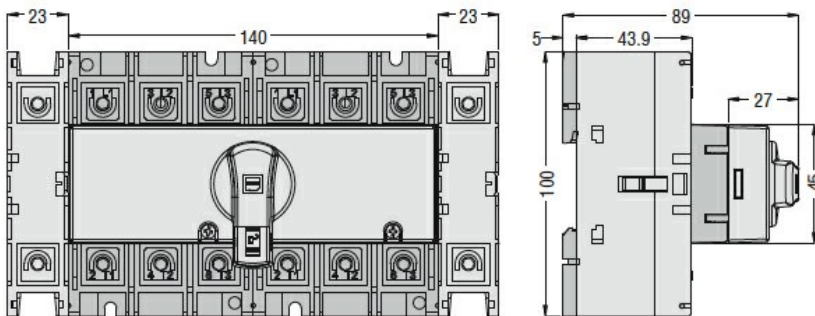
Frontal IP degree

IP20

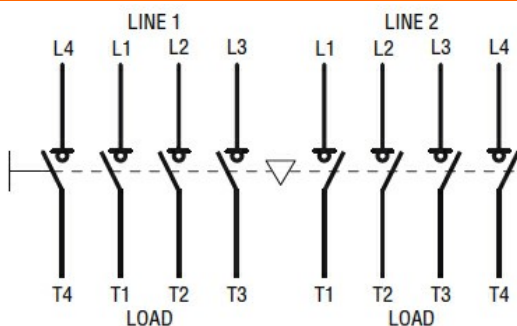
Pollution degree

3

Dimensions



Wiring diagrams



ETIM classification

ETIM 8.0

EC000216 -  
Switch  
disconnecter