

Product designation				Switch disconnecter
Product type designation				GA
Number of poles		Nr.	3	
Operating voltage type				AC
<b>Contact characteristics</b>				
IEC Conventional free air thermal current I <sub>th</sub>		A	160	
Rated insulation voltage U <sub>i</sub> IEC/EN		V	1000	
Rated impulse withstand voltage U <sub>imp</sub>		kV	8	
Operating current I <sub>e</sub>				
	AC21A			
		400V	A	160
		500V	A	160
		690V	A	160
	AC22A			
		400V	A	160
		500V	A	125
		690V	A	125
	AC23A			
		400V	A	125
		500V	A	100
		690V	A	47
Power dissipation per pole max			W	12
Rated operational power AC23A				
		400V	kW	55
		690V	kW	45
Rated short time current (1s) I <sub>cw</sub> (rms)			kA	2.5
Conditional short-circuit current (rms)			kA	50
Short-circuit protection with fuse			Class/A	gG160
Making capacity AC23A 400V			A	1250
Breaking capacity AC23A 400V			A	1000
Mechanical life			cycles	30000
Electrical life AC21A			cycles	1500 (AC23A 400V)
<b>Mechanical features</b>				
Operating position			normal allowable	Vertical plan Any
Fixing				Screw / DIN rail 35mm
Terminals				
		type		Pillar
		width	mm	12.4
		height	mm	10.4
		screw		M8
		tool		Metric Allen key 4

Tightening torque for terminals

min	Nm	5
max	Nm	6
min	lbin	45
max	lbin	54

Conductor section

IEC min	mm <sup>2</sup>	4
IEC max	mm <sup>2</sup>	70
AWG/kcmil min		12
AWG/kcmil max		1

Weight

g	881
---	-----

UL technical data

UL Standard

UL98

Minimum enclosure dimensions at rated current

mm	mm	150x140x110
in	in	5.9 x 5.5 x 4.3

Ambient conditions

Operating temperature

min	°C	-25
max	°C	+55

Storage temperature

min	°C	-40
max	°C	+70

Max altitude

m	3000
---	------

Resistance & Protection

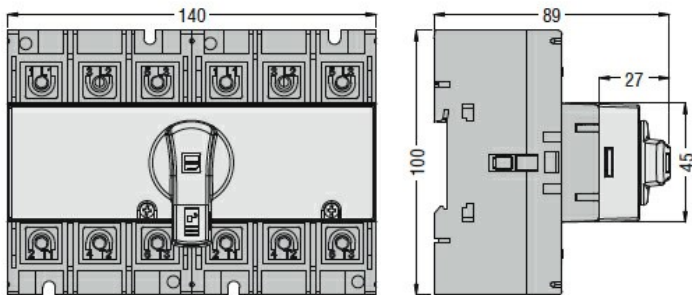
Frontal IP degree

IP20

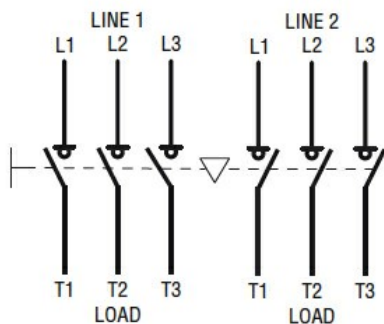
Pollution degree

3

Dimensions



Wiring diagrams



ETIM classification

ETIM 8.0

EC000216 -  
Switch  
disconnecter