



Product designation

Product type designation

Number of poles

Operating voltage type

Changeover
Switch
GA
Nr. 3
AC

Contact characteristics

IEC Conventional free air thermal current I_{th} A 40

Rated insulation voltage U_i IEC/EN V 1000

Rated impulse withstand voltage U_{imp} kV 8

Operating current I_e

AC21A	400V	A	40
	500V	A	40
	690V	A	40

AC22A	400V	A	40
	500V	A	40
	690V	A	40

AC23A	400V	A	40
	500V	A	25
	690V	A	25

Power dissipation per pole max W 1

Rated operational power AC23A	400V	kW	18.5
	690V	kW	22

Conditional short-circuit current (rms) kA 10

Short-circuit protection with fuse Class/A gG40

Making capacity AC23A 400V A 400

Breaking capacity AC23A 400V A 320

Mechanical life cycles 100000

Electrical life AC21A cycles 100000

Mechanical features

Operating position

normal
allowable Vertical plan
Any

Fixing

Screw / DIN rail
35mm

Terminals

type		Pillar
width	mm	5.6
height	mm	6.5
screw		M4
tool		Phillips 2

Tightening torque for terminals

min	Nm	1.8
max	Nm	2
min	Ibin	16
max	Ibin	18

Conductor section

IEC min	mm ²	0.75
IEC max	mm ²	16
AWG/kcmil min		18
AWG/kcmil max		6

Weight g 350

Ambient conditions

Operating temperature

min	°C	-25
max	°C	+55

Storage temperature

min	°C	-40
max	°C	+70

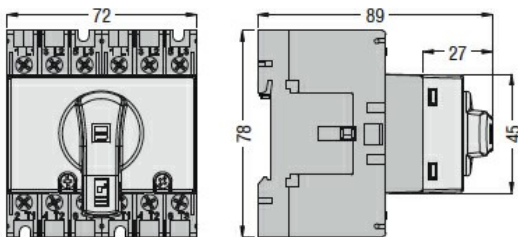
Max altitude m 3000

Resistance & Protection

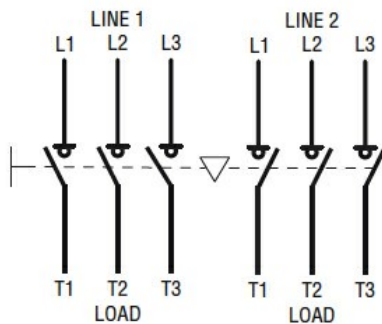
Frontal IP degree IP20

Pollution degree 3

Dimensions



Wiring diagrams



ETIM classification

ETIM 8.0

EC000216 -
Switch
disconnecter