



Product designation

Changeover  
Switch

Product type designation

GA

Number of poles

Nr.

3

Operating voltage type

AC

**Contact characteristics**

IEC Conventional free air thermal current I <sub>th</sub>	A	25
---	---	----

Rated insulation voltage U <sub>i</sub> IEC/EN	V	1000
--	---	------

Rated impulse withstand voltage U <sub>imp</sub>	kV	8
--	----	---

Operating current I<sub>e</sub>

AC21A

400V	A	25
500V	A	25
690V	A	25

AC22A

400V	A	25
500V	A	25
690V	A	25

AC23A

400V	A	25
500V	A	25
690V	A	25

Power dissipation per pole max	W	0.4
--------------------------------	---	-----

Rated operational power AC23A

400V	kW	11
690V	kW	22

Conditional short-circuit current (rms)	kA	10
---	----	----

Short-circuit protection with fuse	Class/A	gG25
------------------------------------	---------	------

Making capacity AC23A 400V	A	400
----------------------------	---	-----

Breaking capacity AC23A 400V	A	320
------------------------------	---	-----

Mechanical life	cycles	100000
-----------------	--------	--------

Electrical life AC21A	cycles	100000
-----------------------	--------	--------

**Mechanical features**

Operating position

normal  
allowable

Vertical plan  
Any

Fixing

Screw / DIN rail  
35mm

Terminals

type		Pillar
width	mm	5.6
height	mm	6.5
screw		M4
tool		Phillips 2

Tightening torque for terminals

min	Nm	1.8
max	Nm	2
min	Ibin	16
max	Ibin	18

Conductor section

IEC min	mm <sup>2</sup>	0.75
IEC max	mm <sup>2</sup>	16
AWG/kcmil min		18
AWG/kcmil max		6

Weight g 350

Ambient conditions

Operating temperature

min	°C	-25
max	°C	+55

Storage temperature

min	°C	-40
max	°C	+70

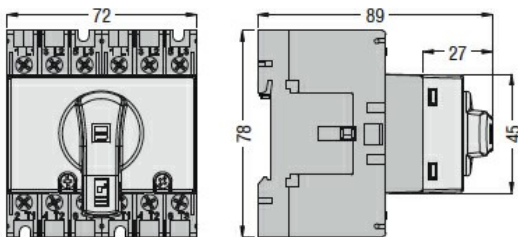
Max altitude m 3000

Resistance & Protection

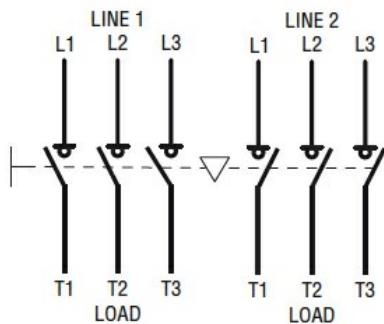
Frontal IP degree IP20

Pollution degree 3

Dimensions



Wiring diagrams



ETIM classification

ETIM 8.0

EC000216 -  
Switch  
disconnecter