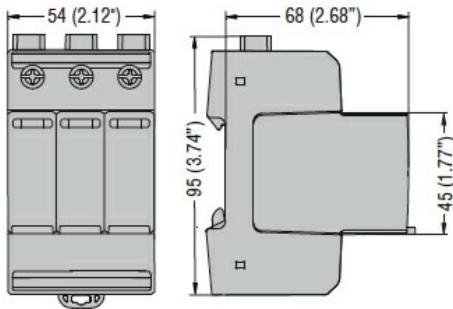




Product designation

Plug-in cartridge

Dimensions



Certifications and compliance

Compliance

IEC/EN/BS 50539-11

Certificates

EAC

ETIM classification

ETIM 8.0

EC002496 -  
 Accessories/spare  
 parts for surge  
 protection power  
 supply systems