



Electrical features

Rated operational voltage DC	VDC	1100
Maximum continuous voltage Ucpv	V	1100
IEC Maximum discharge current I _{max} 8/20 (L-N/N-PE)	kA	40
IEC Rated discharge current (IEC) I _n 8/20 (L-N/N-PE)	kA	20
Total discharge current (10/350us)	kA	40
IEC Voltage protection level U _p (L-N/N-PE)	kV	<4.2
Tripping time t _a (L-N/N-PE)	ns	<25
Thermal insulation protection		YES
IEC Maximum short circuit current at 50Hz	kA	50
Maximum short circuit current I _{scpv}	kA	9
Status indicator - operating / end of life		Frontal indication

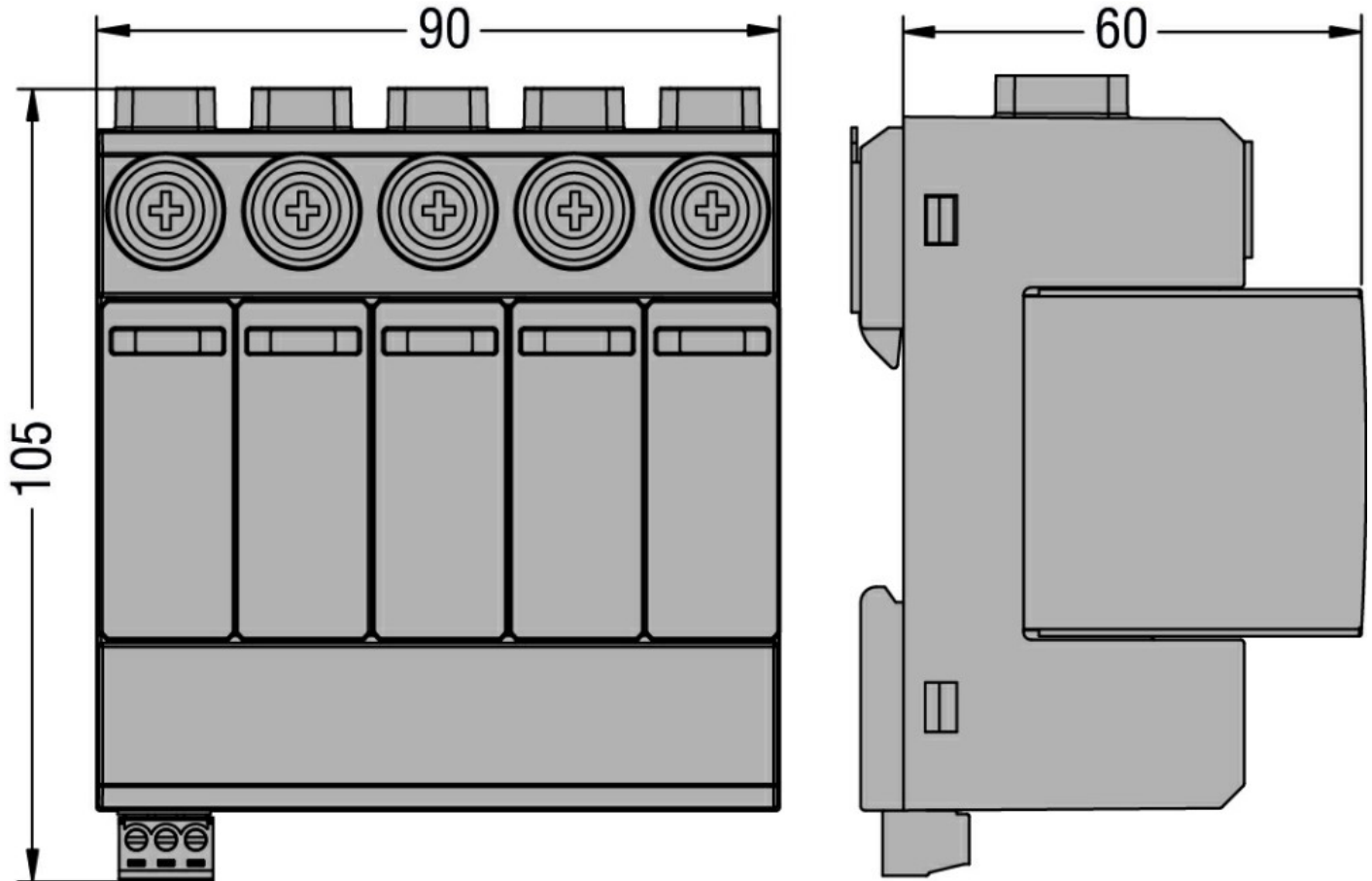
Ambient conditions

Operating temperature	min	°C	-40
	max	°C	+85
Max altitude		m	2000

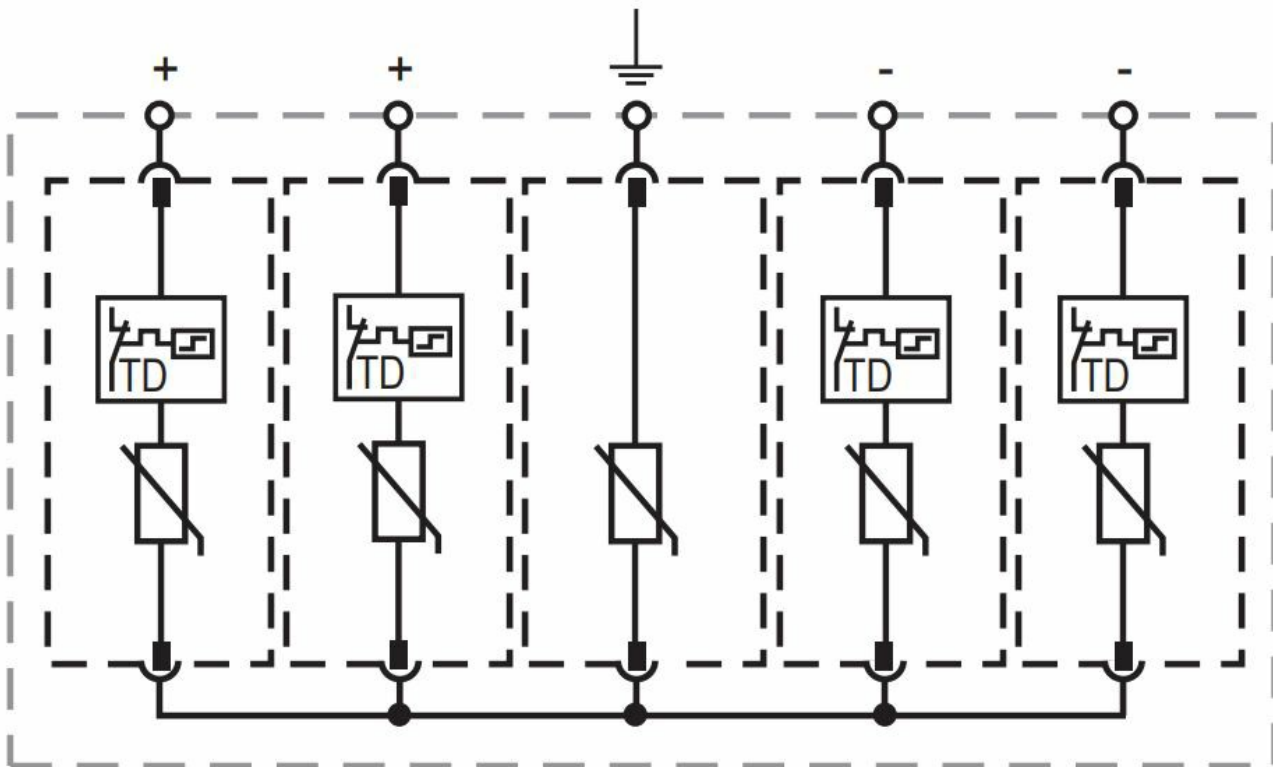
Mechanical features

Fixing		Din rail
Conductor section Flexible max (IEC)	mm ²	25
Conductor section Rigid max (IEC)	mm ²	35
Weight	g	507

Dimensions



Wiring diagrams



Certifications and compliance

Certificates

IEC 61643-31