



Electrical features

Rated operational voltage DC	VDC	1000
Maximum continuous voltage Ucpv	V	1000
IEC Impulse current Iimp 10/350 (L-N/N-PE)	kA	2.5
IEC Maximum discharge current I _{max} 8/20 (L-N/N-PE)	kA	40
IEC Rated discharge current (IEC) I _n 8/20 (L-N/N-PE)	kA	20
IEC Voltage protection level U _p (L-N/N-PE)	kV	<3.9 / <2.4
Tripping time t _a (L-N/N-PE)	ns	<25
Thermal insulation protection		YES
IEC Backup protection fuse with supply fuse >100A (L-N/N-PE)	Class/A	200A/1500VDC NH1 BAT
IEC Maximum short circuit current at 50Hz	kA	50
Status indicator - operating / end of life		Frontal indication/Aux contact

Ambient conditions

Operating temperature	min	°C	-40
	max	°C	+85
Max altitude		m	2000

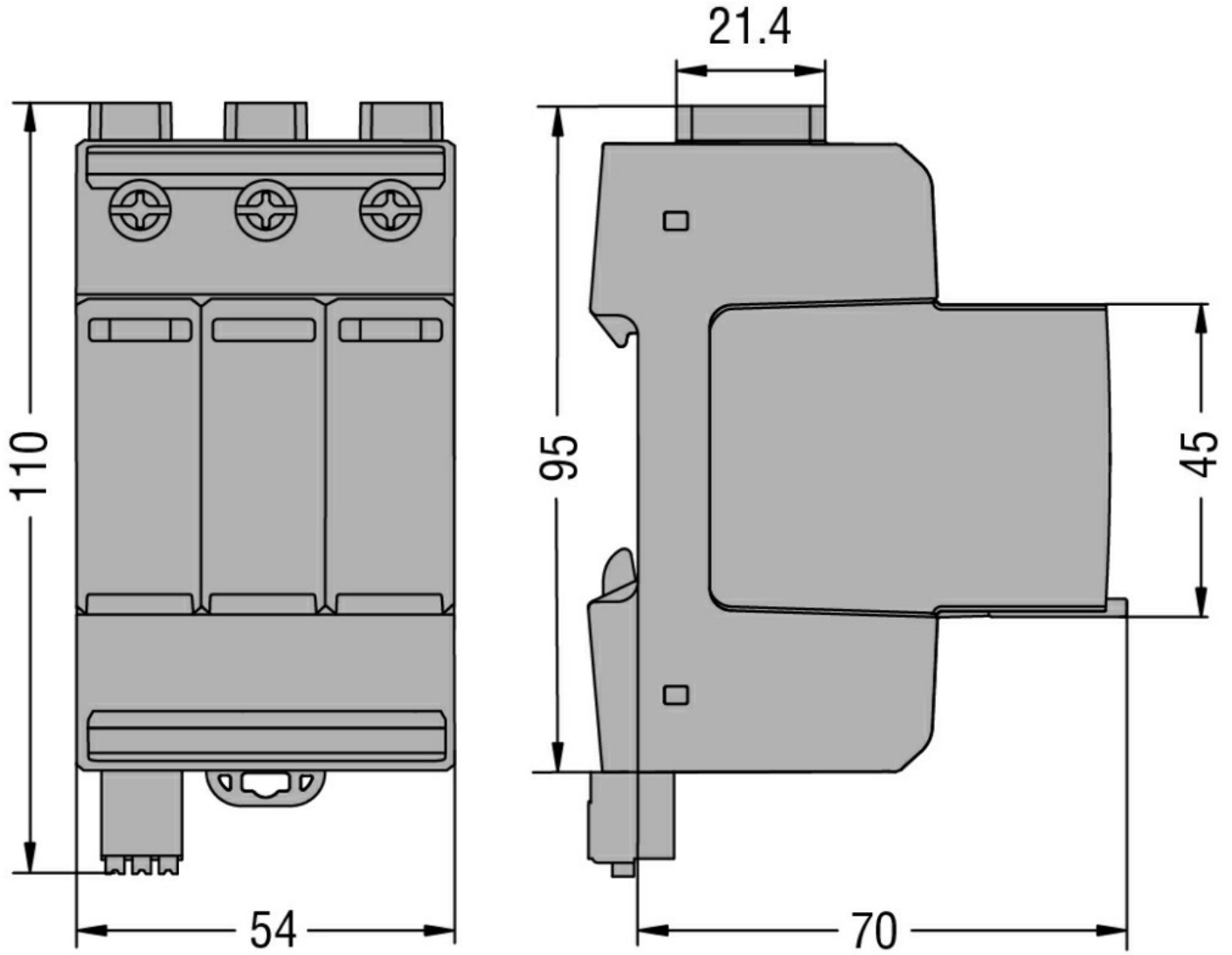
Mechanical features

Fixing		Din rail
Conductor section Flexible max (IEC)	mm ²	25
Conductor section Rigid max (IEC)	mm ²	35
Weight	g	375

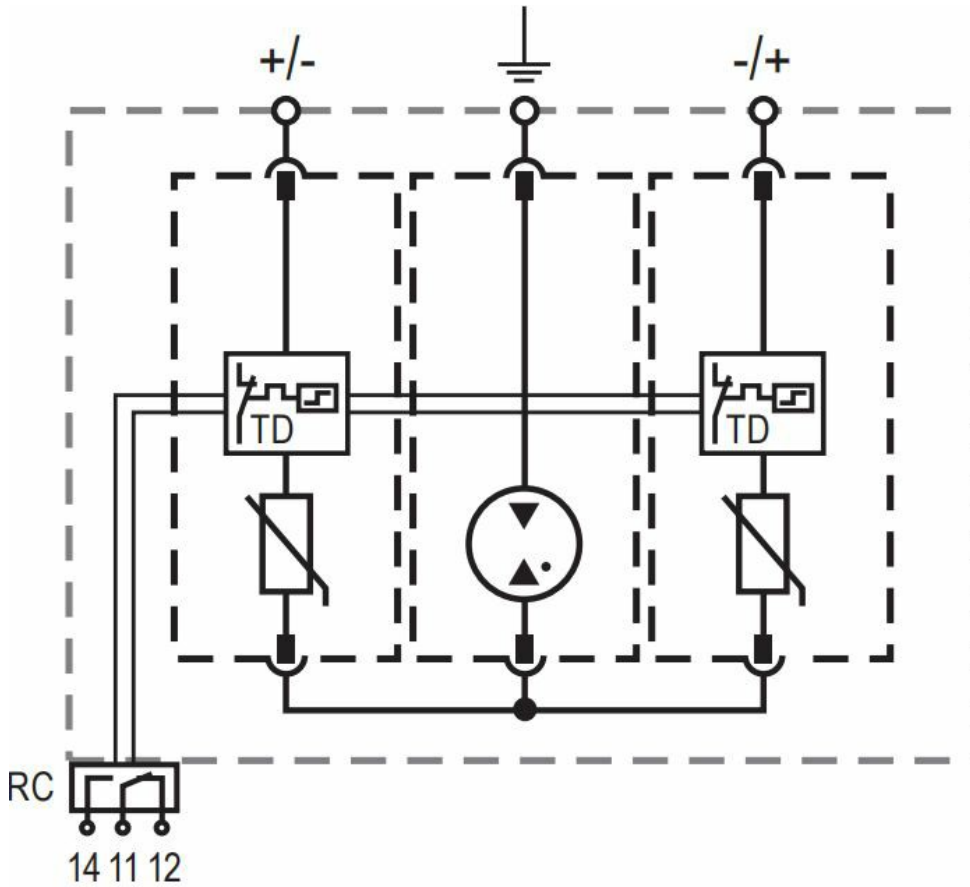
Relay output for remote status indication

Type of contact		CO	
Rated current at	12V DC	A	0.5
	24V DC	A	0.5

Dimensions



Wiring diagrams



Certifications and compliance

Certificates

IEC 61643-41