



Product designation	Surge Protection Device (SPD)
Product type designation	SG2E
Operating voltage type	DC
Application	DC Power lines
Number of DIN modules	3
Relay output	Yes
SPD according to EN50539-11	Yes

#### Electrical features

Rated operational voltage DC	VDC	1100
Maximum continuous voltage Ucpv	V	1100
IEC Maximum discharge current I <sub>max</sub> 8/20 (L-N/N-PE)	kA	40
IEC Rated discharge current (IEC) I <sub>n</sub> 8/20 (L-N/N-PE)	kA	20
IEC Voltage protection level U <sub>p</sub> (L-N/N-PE)	kV	<3.8
Tripping time t <sub>a</sub> (L-N/N-PE)	ns	<25
Thermal insulation protection		YES
Backup protection fuse (IEC) with I <sub>sc</sub> >100A	Class/A	Not needed
Maximum short circuit current I <sub>scpv</sub>	kA	11
Status indicator - operating / end of life		Frontal indication/Aux contact

#### Ambient conditions

Operating temperature	min	°C	-40
	max	°C	+85
Max altitude		m	2000

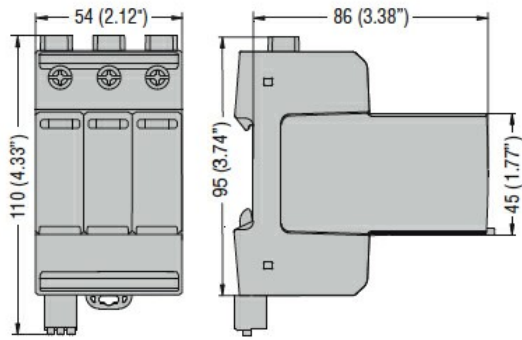
#### Mechanical features

Fixing		Din rail
Conductor section Flexible max (IEC)	mm <sup>2</sup>	25
Conductor section Rigid max (IEC)	mm <sup>2</sup>	35
Weight	g	454

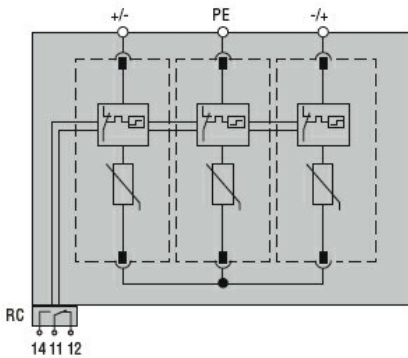
#### Relay output for remote status indication

Type of contact		CO	
Rated current at	250V AC	A	1
	12V DC	A	0.5
	24V DC	A	0.5

#### Dimensions



### Wiring diagrams



### Certifications and compliance

#### Compliance

IEC/EN/BS 50539-11

#### Certificates

EAC

### ETIM classification

ETIM 8.0

EC000941 -  
Surge protection  
device for power  
supply systems