



Product designation	Surge Protection Device (SPD)
Product type designation	SG2C
Operating voltage type	AC
Application	AC Power lines
Number of poles	3P+N
Number of DIN modules	2

Electrical features

IEC Maximum continuous voltage U_c	V	275
IEC Maximum discharge current I_{max} 8/20 (L-N/N-PE)	kA	40 / 40
IEC Rated discharge current (IEC) I_n 8/20 (L-N/N-PE)	kA	20
IEC Voltage protection level U_p (L-N/N-PE)	kV	<1.5 / <1.5
Tripping time t_a (L-N/N-PE)	ns	<25 / 100
Thermal insulation protection		YES
IEC Backup protection fuse with supply fuse >63A (L-N/N-PE)	Class/A	63A Gg
IEC Backup protection fuse with supply fuse >100A (L-N/N-PE)	Class/A	100A gG
IEC Maximum short circuit current at 50Hz	kA	25
Status indicator - operating / end of life		Frontal indication / Aux contact

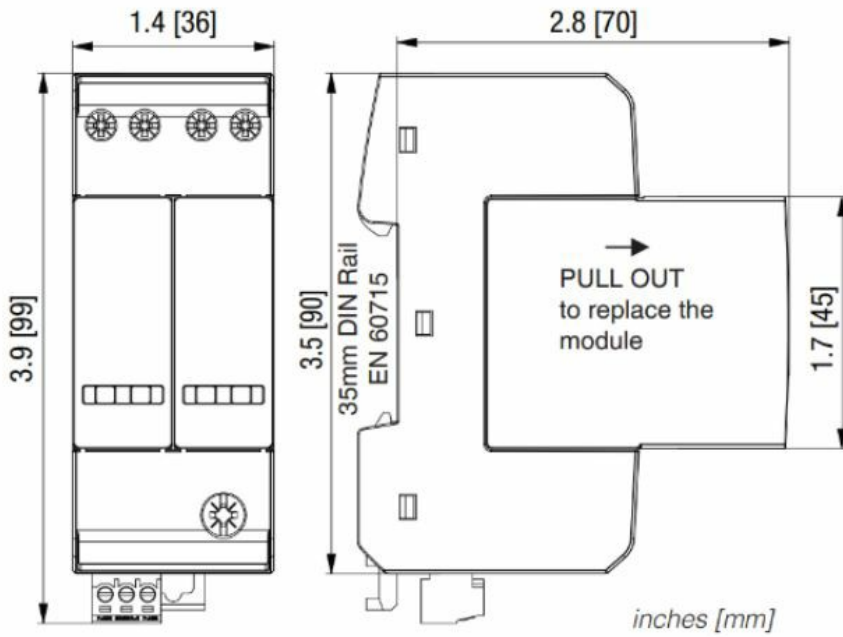
Ambient conditions

Operating temperature	min	°C	-40
	max	°C	+85
Max altitude		m	2000

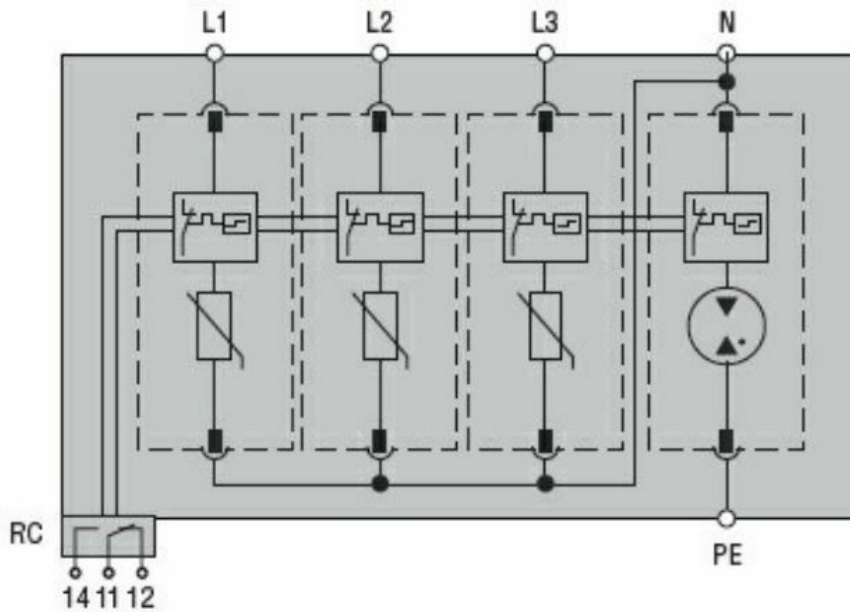
Mechanical features

Fixing		Din rail
Conductor section Flexible max (IEC)	mm ²	4 (L,N) / 25 (PE)
Conductor section Rigid max (IEC)	mm ²	6 (L,N) / 35 (PE)
Weight	g	527

Dimensions



Wiring diagrams



Certifications and compliance

Certificates

CE

ETIM classification

ETIM 8.0

EC000941 -
Surge protection
device for power
supply systems