



Product designation

Product type designation

Operating voltage type

Application

Number of poles

Number of DIN modules

SPD according to IEC/EN 61643-11

Surge Protection  
Device (SPD)

SG2

AC

AC Power lines

3P+N

4

YES

**Electrical features**

IEC Maximum continuous voltage $U_c$	V	300
IEC Maximum discharge current $I_{max}$ 8/20 (L-N/N-PE)	kA	50 / 65
IEC Rated discharge current (IEC) $I_n$ 8/20 (L-N/N-PE)	kA	20
IEC Voltage protection level $U_p$ (L-N/N-PE)	kV	<1.5 / <1.5
IEC Follow current $I_f$ (N-PE) rms	A	100
Tripping time $t_a$ (L-N/N-PE)	ns	<25 / 100
Thermal insulation protection		YES
IEC Backup protection fuse with supply fuse >315A (L-N/N-PE)	Class/A	315A / 250A Gg
IEC Maximum short circuit current at 50Hz	kA	25 / 50
Status indicator - operating / end of life		Frontal indication

**Ambient conditions**

Operating temperature

min	°C	-40
max	°C	+85

Max altitude

m 2000

**Mechanical features**

Fixing

Din rail

Conductor section Flexible max (IEC)

mm<sup>2</sup> 25

Conductor section Rigid max (IEC)

mm<sup>2</sup> 35

Weight

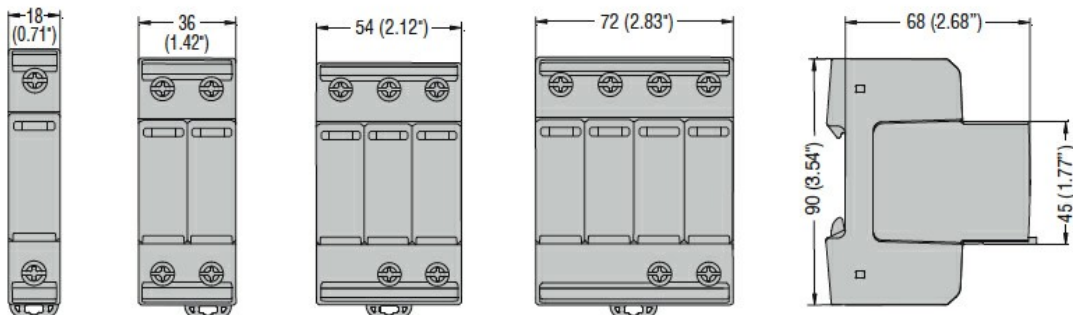
g 477

**Relay output for remote status indication**

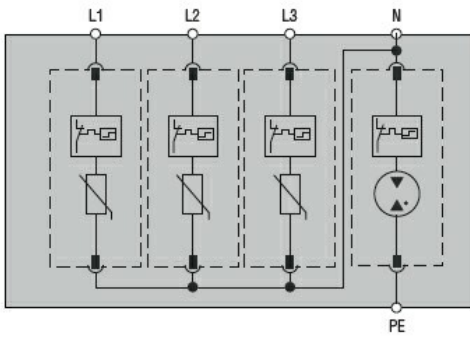
Rated current at

48V DC A 0.5

**Dimensions**



**Wiring diagrams**



**Certifications and compliance**

Compliance

IEC/EN 61643-11

Certificates

EAC

**ETIM classification**

ETIM 8.0

EC000941 -  
Surge protection  
device for power  
supply systems