



Product designation

Product type designation

Operating voltage type

Application

Number of poles

Number of DIN modules

SPD according to IEC/EN 61643-11

Surge Protection
Device (SPD)

SG2

AC

AC Power lines

1P+N

2

YES

Electrical features

IEC Maximum continuous voltage U_c	V	300
IEC Maximum discharge current I_{max} 8/20 (L-N/N-PE)	kA	50 / 65
IEC Rated discharge current (IEC) I_n 8/20 (L-N/N-PE)	kA	20
IEC Voltage protection level U_p (L-N/N-PE)	kV	<1.5 / <1.5
IEC Follow current I_f (N-PE) rms	A	100
Tripping time t_a (L-N/N-PE)	ns	<25 / 100
Thermal insulation protection		YES
IEC Backup protection fuse with supply fuse >315A (L-N/N-PE)	Class/A	315A / 250A Gg
IEC Maximum short circuit current at 50Hz	kA	25 / 50
Status indicator - operating / end of life		Frontal indication

Ambient conditions

Operating temperature

min	°C	-40
max	°C	+85

Max altitude

m	2000
---	------

Mechanical features

Fixing

Din rail

Conductor section Flexible max (IEC)

mm ²	25
-----------------	----

Conductor section Rigid max (IEC)

mm ²	35
-----------------	----

Weight

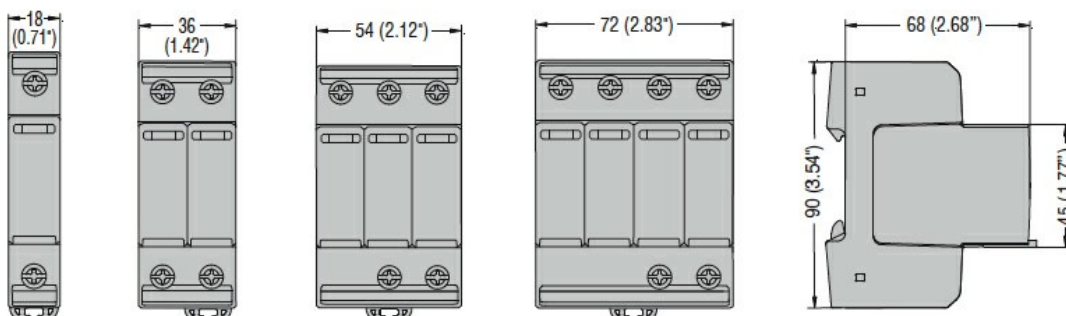
g	234
---	-----

Relay output for remote status indication

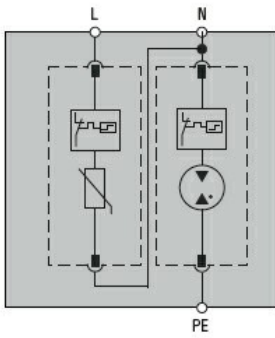
Rated current at

48V DC	A	0.5
--------	---	-----

Dimensions



Wiring diagrams



Certifications and compliance

Compliance

IEC/EN 61643-11

Certificates

EAC

ETIM classification

ETIM 8.0

EC000941 -
Surge protection
device for power
supply systems