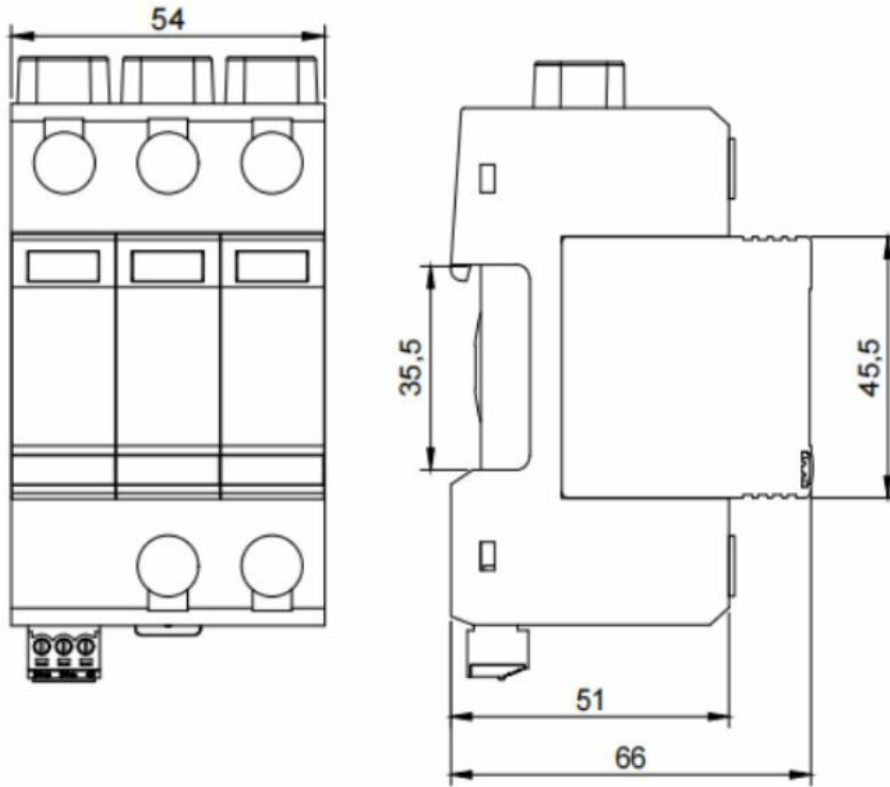
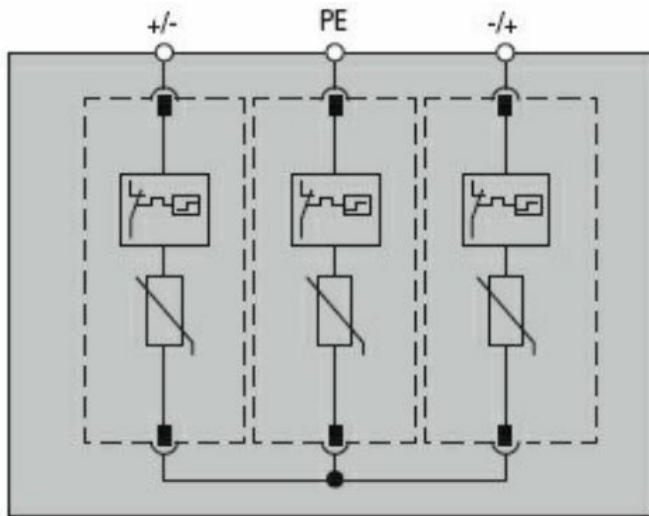




Product designation	Surge Protection Device (SPD)		
Product type designation	SE2DG		
Operating voltage type	DC		
Application	PV		
Number of DIN modules	3		
Relay output	Yes		
Electrical features			
Rated operational voltage DC	VDC	1500	
Maximum continuous voltage Ucpv	V	1520	
IEC Rated discharge current (IEC) In 8/20 (L-N/N-PE)	kA	20	
IEC Voltage protection level Up (L-N/N-PE)	kV	<6.5	
Tripping time ta (L-N/N-PE)	ns	<25	
Thermal insulation protection	YES		
Backup protection fuse (IEC) with I _{sc} >100A	Class/A	125A gR/gPV	
Maximum short circuit current I _{scpv}	kA	1	
Status indicator - operating / end of life	Frontal indication / Aux contact		
Ambient conditions			
Operating temperature	min	°C	-40
	max	°C	+80
Max altitude	m	2000	
Mechanical features			
Fixing	Din rail		
Conductor section Flexible max (IEC)	mm ²	25	
Conductor section Rigid max (IEC)	mm ²	35	
Weight	g	392	
Relay output for remote status indication			
Rated current at	125V AC	A	0.5
	250V AC	A	0.5
	12V DC	A	0.5
	24V DC	A	0.5
	48V DC	A	0.5
	125V DC	A	0.2
	250V DC	A	0.1
Dimensions			



Wiring diagrams



Certifications and compliance

Certificates

CE

ETIM classification

ETIM 8.0

EC000941 -
Surge protection
device for power
supply systems